

The last bastion of privacy, a space of peace and tranquillity, your Bathroom
 Enjoy the look and feel of our European Bathroom fittings and fixtures.
 Designed and made to the highest International and Australian standards.



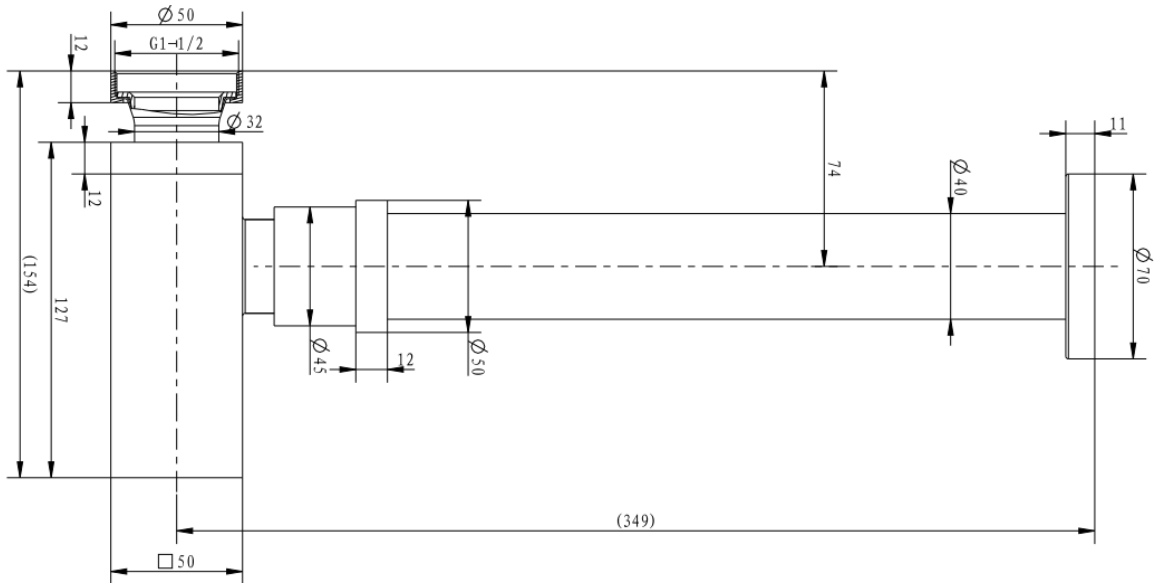
BOTTLE TRAP ROUND

Code: 37 60 2733MB
 Fits 32mm & 40mm outlt
 Matt Black

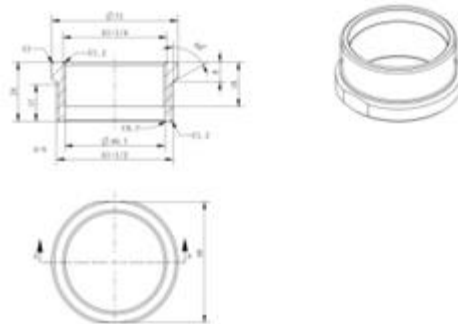
SYDNEY
 Woollahra
 163 Edgecliff Road
 Woollahra NSW 2025
 T 02 9386 9809



MELBOURNE
 Richmond
 229 Swan Street
 Richmond VIC 3121
 T 03 9428 9996

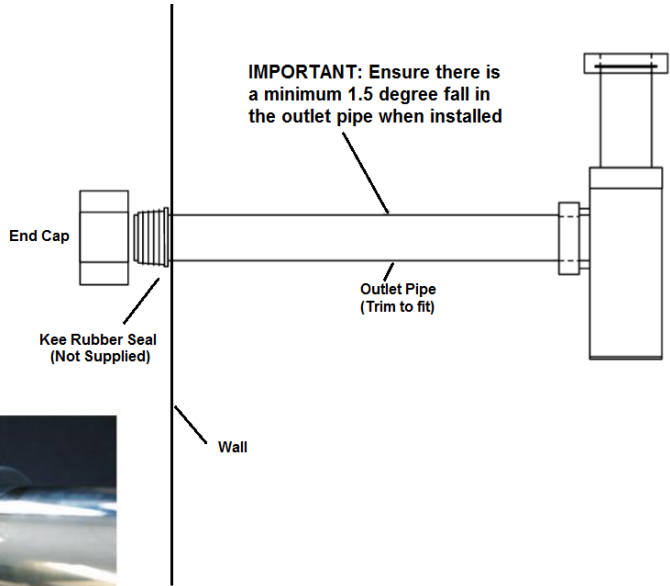


40mm to 32mm Reducer



BOTTLE TRAP

Installation Instructions



**Kee Rubber Seal
(Not Supplied)**

INSTALLATION GUIDE

- 1) Pre-assemble Bottle Trap to basin, confirming all dimensions.
- 2) Trim chrome/ABS \varnothing 40mm horizontal waste pipe to required length
- 3) Disassemble, fit rubber seal over outlet pipe and fit into 40mm DWV female socket (Not supplied)
- 4) Solvent glue the horizontal pipe into place
- 5) Ensuring the correct end is inserted into the wall socket (DWV female socket, not supplied).
- 6) Re-assemble, test for water tight connection.
- 7) Lubricate all internal O-Rings using silicon based grease if Required.

NOTE

The plastic tube located on the inside of the bottle trap must not be cut, It is needed to maintain the water seal. Removing or cutting it will void the warranty.

KEY

- A) Kee Rubber Seal \varnothing 40mm DWV PVC fitting behind wall (not supplied)



**Kee Rubber Seal
(Not Supplied)**

- B) Wall
C) Flange cover
D) \varnothing 40mm Chrome pipe