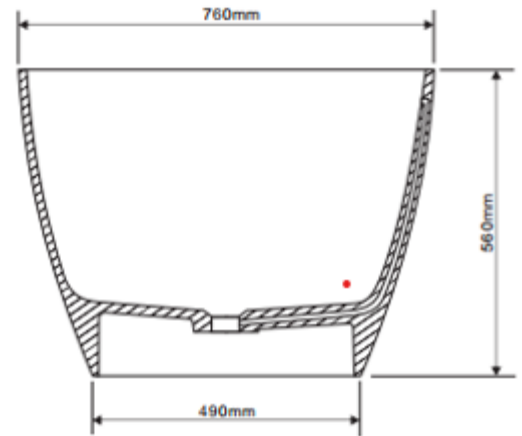
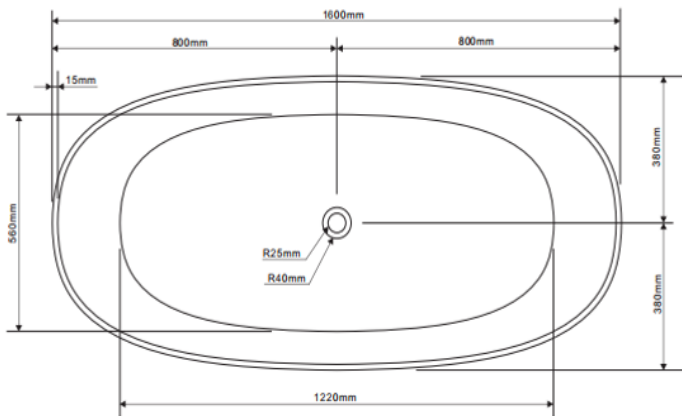
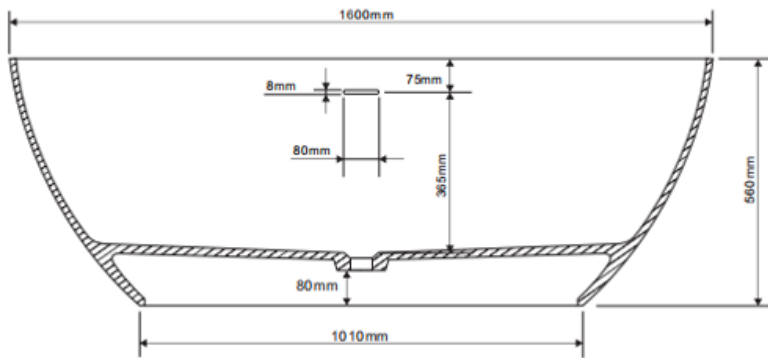


The last bastion of privacy, a space of peace and tranquillity, your Bathroom  
 Enjoy the look and feel of our European Bathroom fittings and fixtures.  
 Designed and made to the highest International and Australian standards.



# moda

## CAST STONE BATH



Our New Technology Stone Free Standing Bath Series are constructed of 15mm thick reconstituted limestone with a 70/30 to resin ratio, are smooth and silky to the touch.

- Code: D-205D
- 70% Stone Composite
- 10yr Warranty
- Smooth solid matt or gloss white finish
- Adjustable galvanised metal legs
- 1mtr Flexible waste hose
- Repairable
- Net Weight 85Kgs
- Gross Weight 95Kgs
- Product Size 1600x760x560mm
- Crated size 1700x900x760mm
- Australian Standard (SAI)
- AS/NZS 3718:2003



WaterMark  
 LIC. WMKA00381  
 SAI GLOBAL



As part of ACS commitment to quality products. Information provided in this data sheet is representative of the actual product available at the time of printing. Due to our commitment to continuous product design and development, the designs and specifications depicted are subject to change without notice. Please confirm all particulars with your ACS sales consultant prior to purchase. Each product is covered by a limited warranty. Please see our website for full terms and conditions. This drawing remains the property of ACS and should not be copied or distributed without ACS consent. © 2010 All Dimensions are approximate in mm and are not to scale.