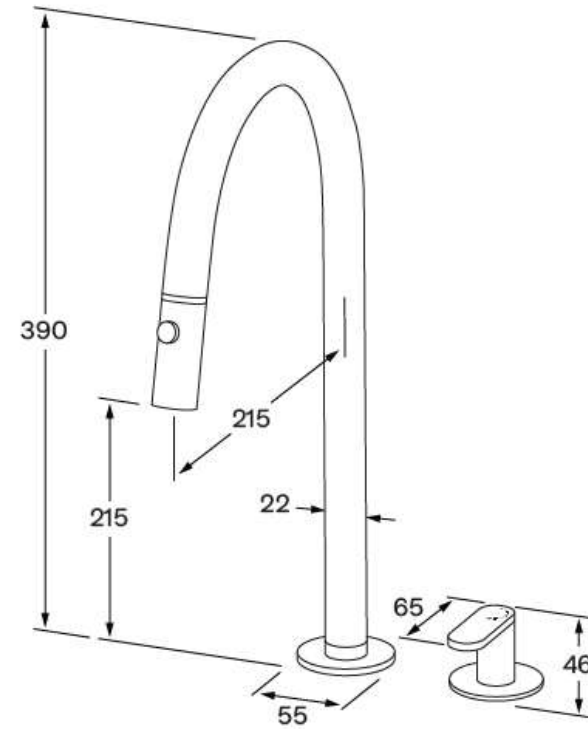


SUSSEX

Product Code: DUT-01
Duet Sink Progressive Mixer Set Pull Out Spray



Product features

- Designed and manufactured in Australia
- All brass construction
- Swivel outlet
- Pull out 2 function nozzle
- Progressive mixer brass cartridge
- Available in a range of high quality, durable finishes inc. LUXPVD®
- Minimal, refined design to complement any contemporary space
- Matching showers and accessories

Warranty

15 Year overall warranty.
Refer to Warranty sheet for
specific information.

Pressure rating

300 - 500kPa

Temperature rating

1 - 65°C

WELS rating

5 star - 5.5lt/min

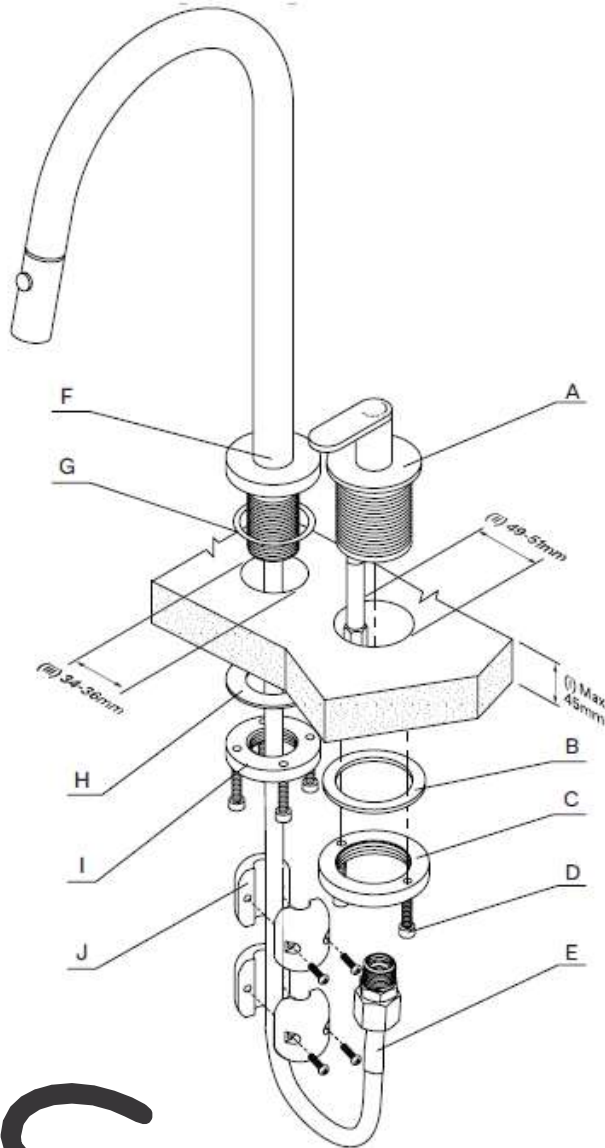
ACS

1300 898 889

www.acsbathrooms.com.au

As part of ACS commitment to quality products. Information provided in this data sheet is representative of the actual product available at the time of printing. Due to our commitment to continuous product design and development, the designs and specifications depicted are subject to change without notice. Please confirm all particulars with your ACS sales consultant prior to purchase. Each product is covered by a limited warranty. Please see our website for full terms and conditions. This drawing remains the property of ACS and should not be copied or distributed without ACS consent. © 2010 All Dimensions are approximate in mm and are not to scale.





Install Preparation:

- Maximum Mounting Surface thickness is 45mm. (i)
- Hob Mixer: 49mm - 51mm Clearance Hole. (ii)
- Outlet: 34mm - 36mm Clearance Hole. (iii)
- Mounting Surface must be flat and level.
- Prior to installing remove:
 - (B)Hob Clamping Ring
 - (C) Hob Clamping Plate
 - (G) Outlet Clamping Ring
 - (H) Outlet Clamping Plate
 - (I) Outlet Weights

Product parts:

- (A) Hob Mixer
- (B) Hob Clamping Ring
- (C) Hob Clamping Plate
- (D) Fixing Screws
- (E) Outlet Hose
- (F) Outlet
- (G) O-Ring
- (H) Outlet Clamping Ring
- (I) Outlet Clamping Plate
- (J) Outlet Weights

Plumbers note:

- Tapware is to be installed by a Licensed Plumber in accordance with AS/NZS 3500:2021
- Recommended working water pressure 300 - 500 Kpa. Maximum water temperature is 65°C
- After installation, ensure that tapware functions correctly without leaks.
- Please ensure a copy of the Installation Instructions are left with the end user for future reference.