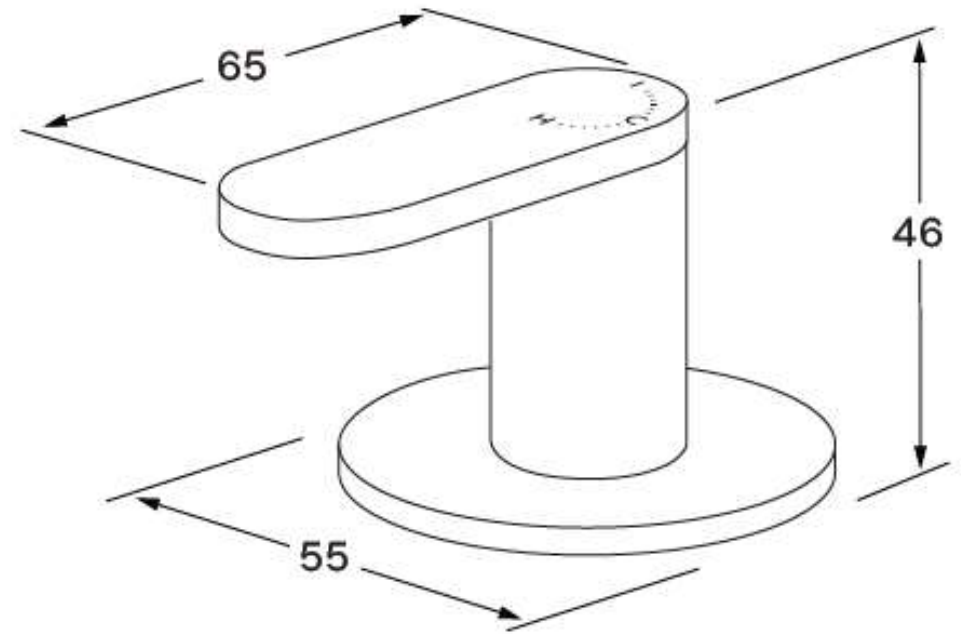


SUSSEX

Product Code: DUT-03
Duet Progressive Top Mount Hob Mixer



Product features

- Designed and manufactured in Australia
- All brass construction
- Progressive mixer brass cartridge
- Available in a range of high quality, durable finishes inc. LUXPVD®
- Minimal, refined design to complement any contemporary space
- Matching showers and accessories

Warranty

15 Year overall warranty.
Refer to Warranty sheet for
specific information.

Pressure rating

300 - 500kPa

Temperature rating

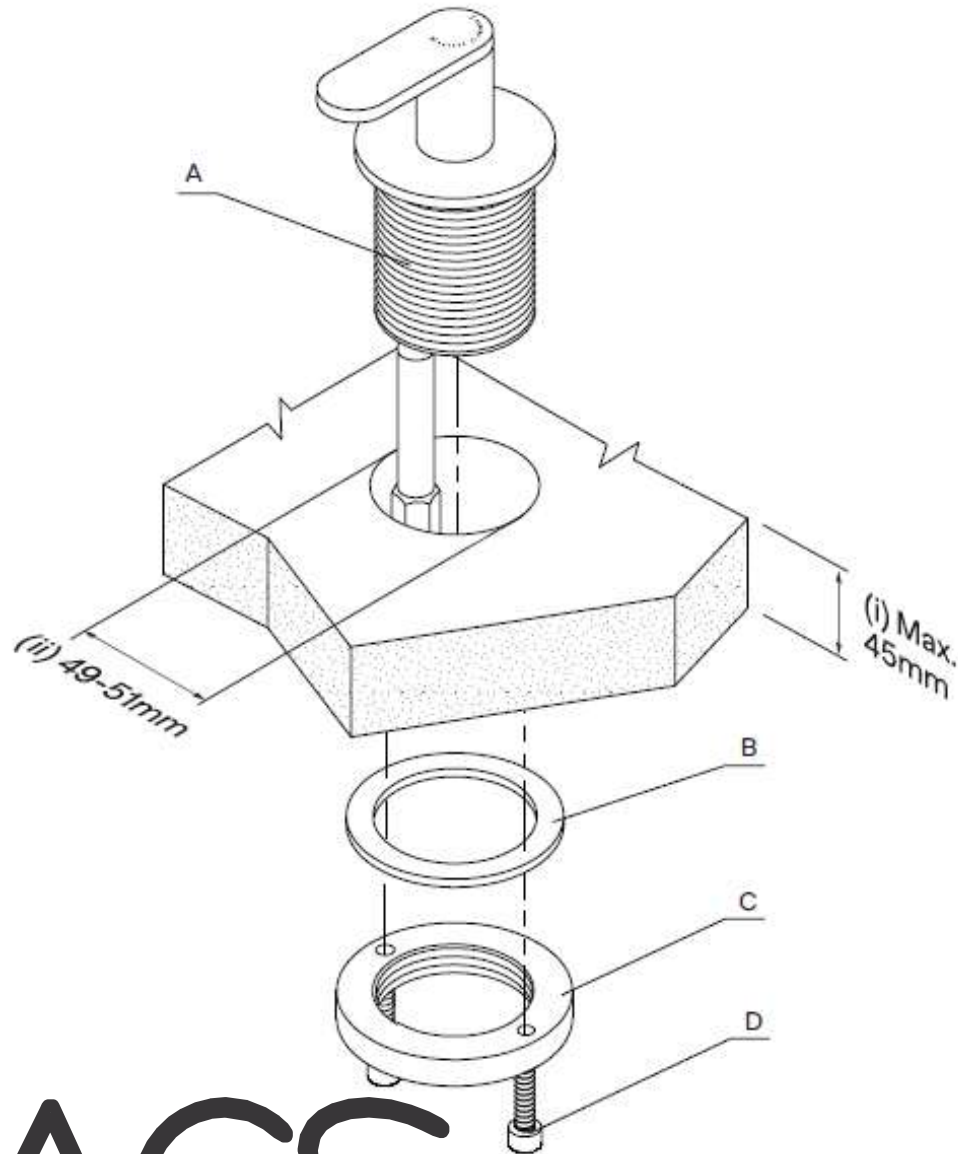
1 - 65°C

ACS

1300 898 889

www.acsbathrooms.com.au





Install Preparation:

- Maximum Mounting Surface thickness is 45mm. (i)
- Hob Mixer: 49mm - 51mm Clearance Hole. (ii)
- Mounting Surface must be flat and level.
- Prior to installing remove:
 - (B) Clamping Ring
 - (C) Clamping Plate

Product parts:

- (A) Handle Assembly Body.
- (B) Clamping Ring.
- (C) Clamping Plate.
- (D) Fixing Screws.

Plumbers note:

- Tapware is to be installed by a Licensed Plumber in accordance with AS/NZS 3500:2021
- Recommended working water pressure 300 - 500 Kpa. Maximum water temperature is 65°C
- After installation, ensure that tapware functions correctly without leaks.
- Please ensure a copy of the Installation Instructions are left with the end user for future reference.