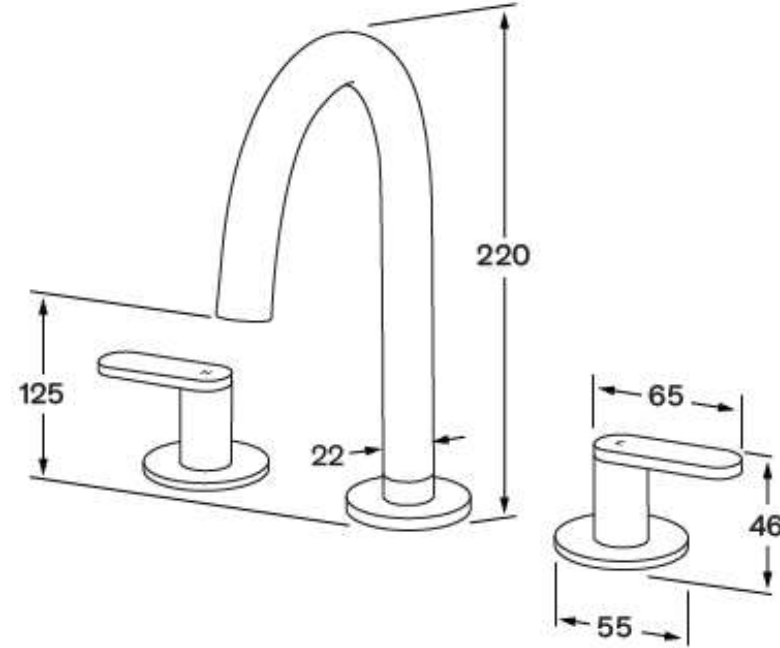


SUSSEX

Product Code: DUT-06

Duet Basin Set



Product features

- Designed and manufactured in Australia
- All brass construction
- 1/4 turn ceramic disc spindles
- Swivel outlet
- Available in a range of high quality, durable finishes inc. LUXPVD®
- Minimal, refined design to complement any contemporary space
- Matching tapware and showers

Warranty

15 Year overall warranty.
Refer to Warranty sheet for
specific information.

Pressure rating

300 - 500kPa

Temperature rating

1 - 65°C

WELS rating

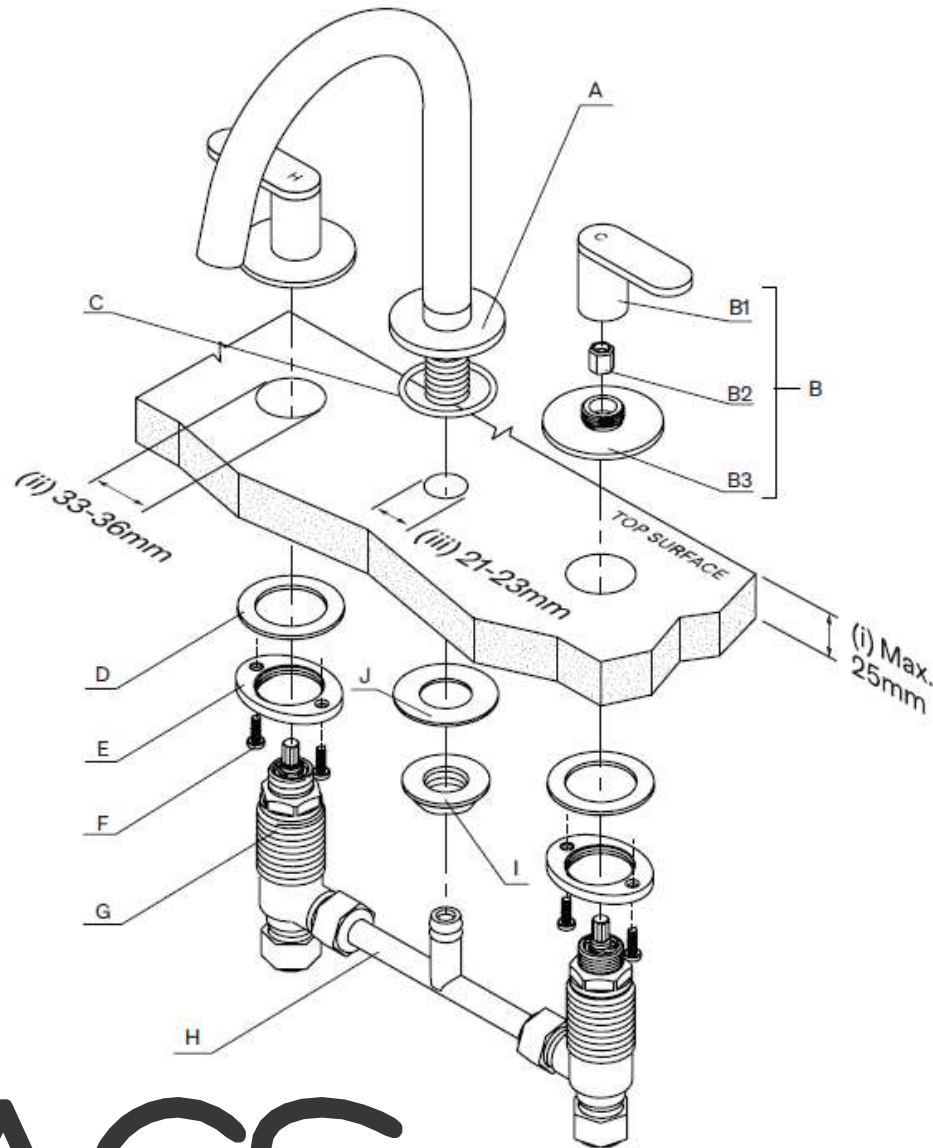
5 star - 5lt/min



ACS

1300 898 889

www.acsbathrooms.com.au



Rough-in:

- Ensure Maximum bench thickness is (i) 25mm.
- Standard Spindles are supplied pre-installed into basin bodies and do not need to be separated.
- Handle holes should be between (ii) 33mm and 36mm diameter to allow for spindle clearance.
- The clearance hole for the outlet should be between (iii) 21mm and 23mm.
- In order to install the basin bodies under the bench, temporarily unscrew the top set of the basin body locknuts (E) and basin body clamping washers (D) and set aside.
- Separate Handle Assembly (B) prior to install.

Product parts

- (A) Basin Outlet.
- (B) Handle Assembly (consisting of B1 - Handle, B2 - Spindle Adapter and B3 - Dress Ring).
- (C) Outlet O-Ring.
- (D) Basin Body Clamping washer.
- (E) Basin Body Locknut.
- (F) Phillips Head Screw.
- (G) Basin Body Assembly
- (H) Tee-piece.
- (I) Outlet Locknut
- (J) Outlet Clamping Washer

Plumber note

- Tapware is to be installed by a Licensed Plumber in accordance with AS/NZS 3500:2021
- Recommended working water pressure 300 - 500 Kpa. Maximum water temperature is 65°C
- After installation, ensure that tapware functions correctly without leaks.
- Please ensure a copy of the Installation Instructions are left with the end user for future reference.

