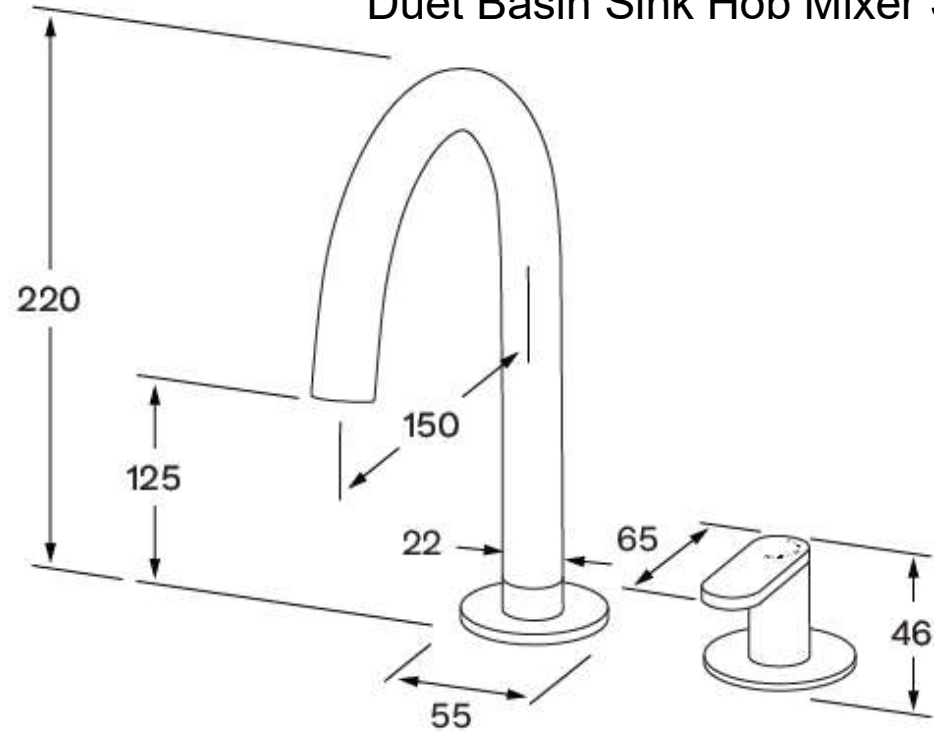


SUSSEX



Product Code: DUT-08
Duet Basin Sink Hob Mixer Set Low



Product features

- Designed and manufactured in Australia
- All brass construction
- Swivel outlet
- Progressive mixer brass cartridge
- Available in a range of high quality, durable finishes inc. LUXPVD®
- Minimal, refined design to complement any contemporary space
- Matching tapware and showers

Warranty

15 Year overall warranty.
Refer to Warranty sheet for specific information.

Pressure rating

300 - 500kPa

Temperature rating

1 - 65°C

WELS rating

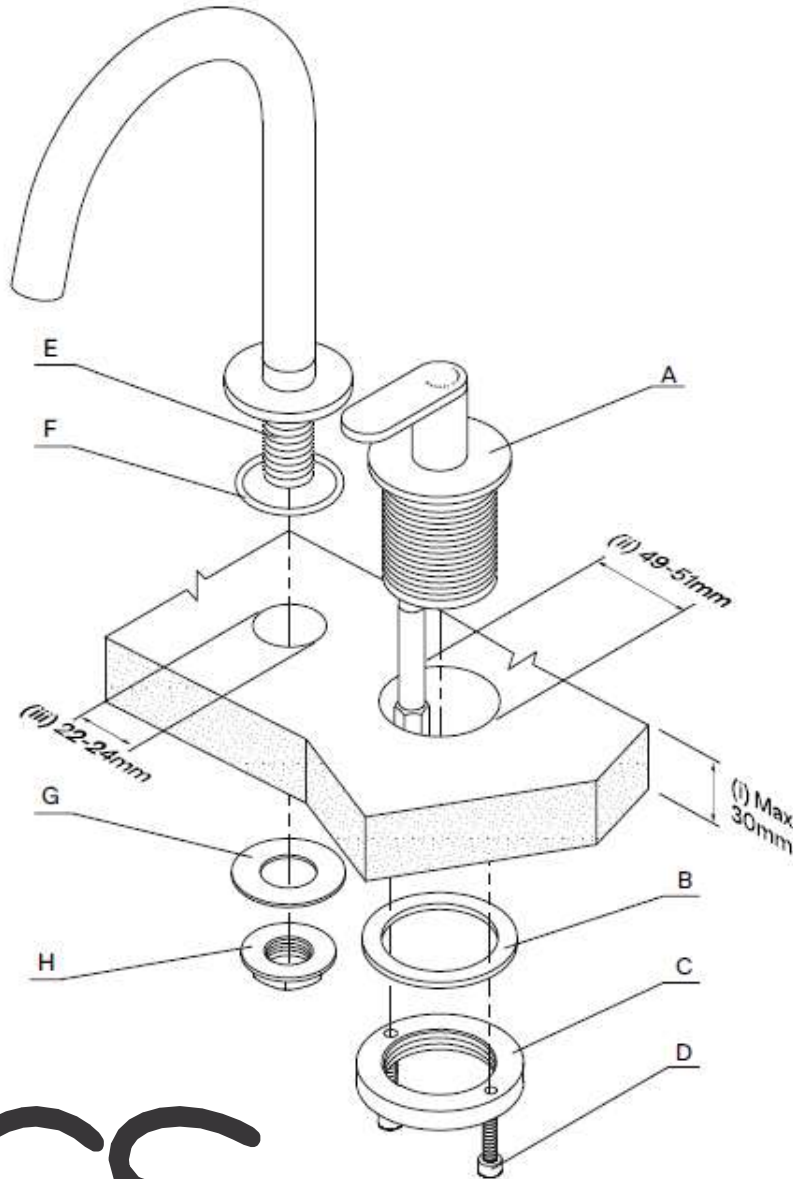
5 star - 5lt/min



ACS

1300 898 889

www.acsbathrooms.com.au



Install Preparation:

- Maximum Mounting Surface thickness is 30mm. (i)
- Hob Mixer: 49mm - 51mm Clearance Hole. (ii)
- Outlet: 22mm - 24mm Clearance Hole. (iii)
- Mounting Surface must be flat and level.
- Prior to installing remove:
 - (B) Clamping Ring
 - (C) Clamping Plate
 - (F) Outlet Washer
 - (G) Locknut

Product parts:

- (A) Hob Mixer
- (B) Clamping Ring
- (C) Clamping Plate
- (D) Fixing Screws
- (E) Outlet
- (F) O-Ring
- (G) Outlet Washer
- (H) Locknut

Plumbers note:

- Tapware is to be installed by a Licensed Plumber in accordance with AS/NZS 3500:2021
- Recommended working water pressure 300 - 500 Kpa. Maximum water temperature is 65°C
- After installation, ensure that tapware functions correctly without leaks.
- Please ensure a copy of the Installation Instructions are left with the end user for future reference.