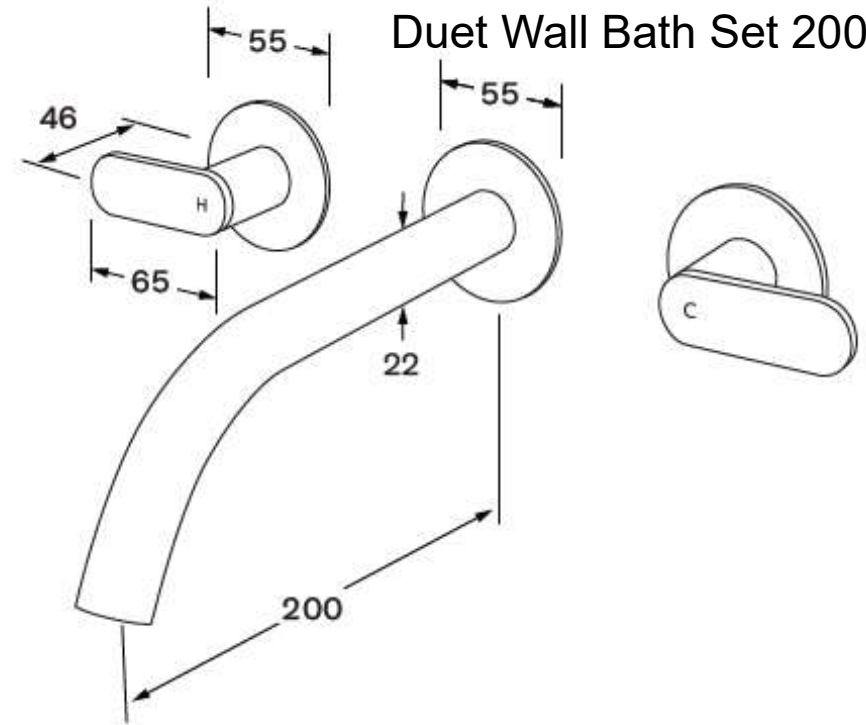


SUSSEX



Product Code: DUT-12b

Duet Wall Bath Set 200mm



Product features

- Designed and manufactured in Australia
- All brass construction
- Incorporating Sussex Masterfit
- 1/4 turn ceramic disc spindles
- Available in a range of high quality, durable finishes inc. LUXPVD®
- Minimal, refined design to complement any contemporary space
- Matching tapware and showers

Warranty

15 Year overall warranty.
Refer to Warranty sheet for specific information.

Pressure rating

300 - 500kPa

Temperature rating

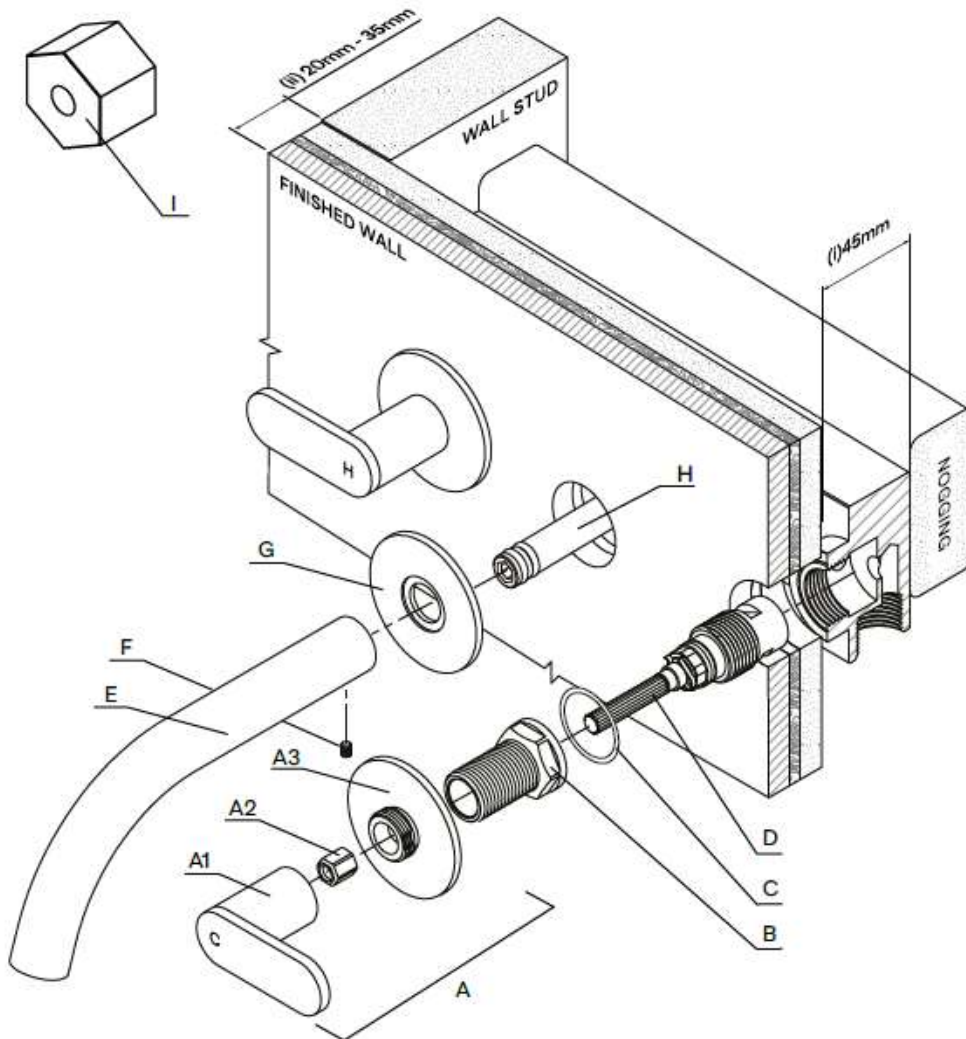
1- 65°C



ACS

1300 898 889

www.acsbathrooms.com.au



Rough-in:

- The In-wall (Masterfit) is supplied and is to be used in conjunction with this Tapware.
- Secure a nogging **45mm** (i) back from the front of the stud. Attach the Wall Masterfit to the nogging.
- Ensure the Masterfit is mounted square and parallel between the Wall Studs.
- To fit correctly, the thickness of the finished Wall coverings is calculated between **20mm** and **35mm** (ii)
- If the wall coverings and Tap Seat Body do not sit within the range specified. Please contact manufacturer.

Product parts

- (A) Handle Assembly (consisting of A1 - Handle, A2 - Spindle Adapter and A3 - Dress Ring).
- (B) Locknut.
- (C) Fibre Washer.
- (D) 90mm Spindle.
- (E) Wall Outlet
- (F) Set Screw
- (G) Dress Ring (for Outlet)
- (H) Supply Post
- (I) Spindle Sizing Gage

Plumber note

- Tapware is to be installed by a Licensed Plumber in accordance with AS/NZS 3500:2021
- Recommended working water pressure 300 - 500 Kpa. Maximum water temperature is 65°C
- After installation, ensure that tapware functions correctly without leaks.
- Please ensure a copy of the Installation Instructions are left with the end user for future reference.

