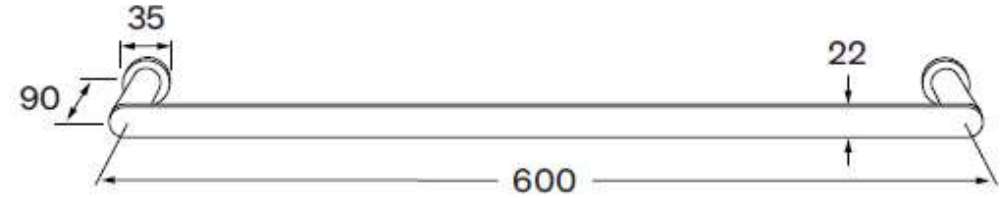


SUSSEX

Product Code: DUT-19

Duet Single Towel Rail 600mm



Product features

- Designed and manufactured in Australia
- All brass construction
- Available in a range of high quality, durable finishes inc. LUXPVD®
- Matching tapware and showers

Warranty

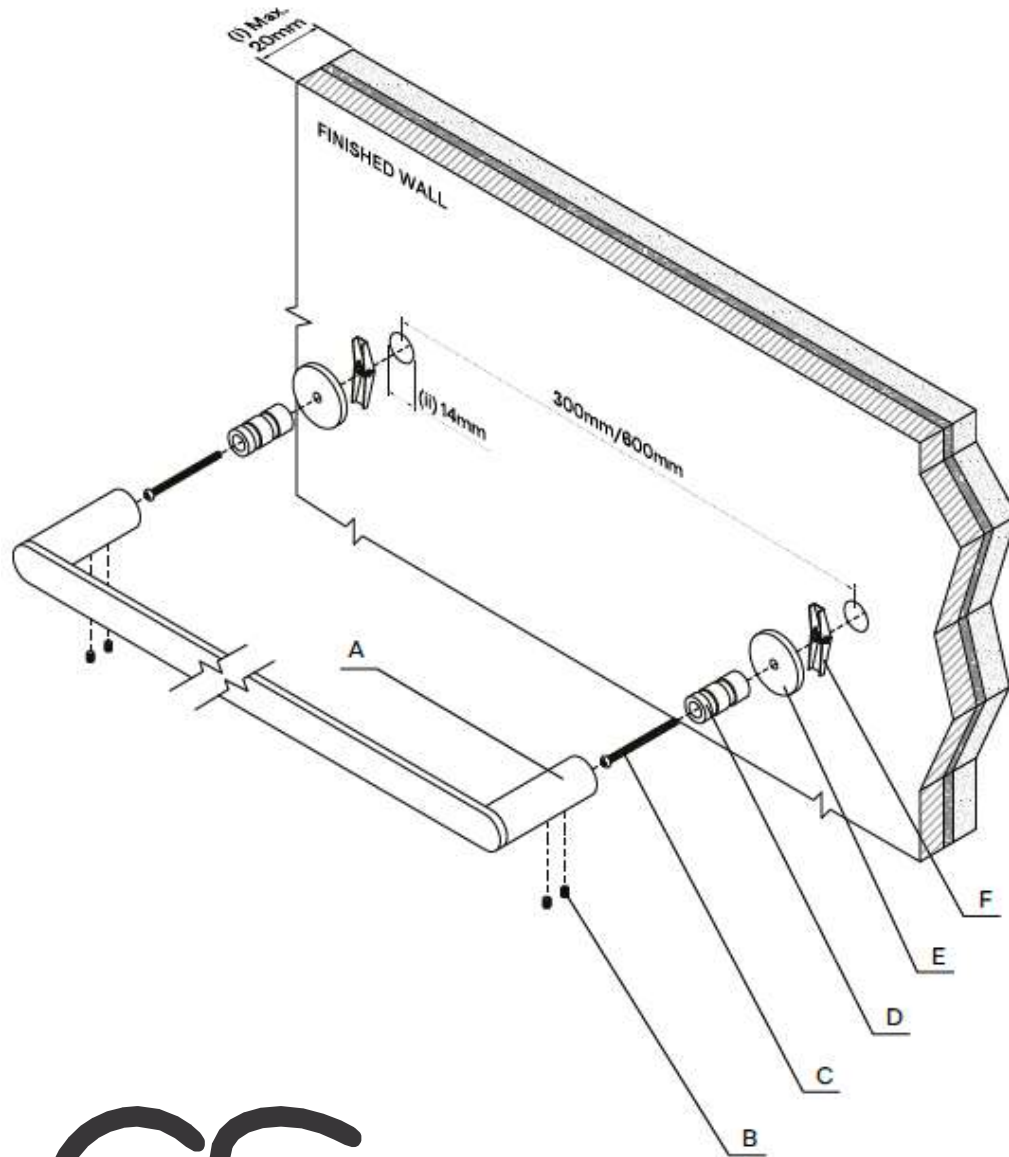
15 Year overall warranty.
Refer to Warranty sheet for
specific information.

ACS

1300 898 889

www.acsbathrooms.com.au

As part of ACS commitment to quality products. Information provided in this data sheet is representative of the actual product available at the time of printing. Due to our commitment to continuous product design and development, the designs and specifications depicted are subject to change without notice. Please confirm all particulars with your ACS sales consultant prior to purchase. Each product is covered by a limited warranty. Please see our website for full terms and conditions. This drawing remains the property of ACS and should not be copied or distributed without ACS consent. © 2010 All Dimensions are approximate in mm and are not to scale.



Product parts

- (A) Towel Rail
- (B) Set Screw
- (C) Bolt
- (D) Wall Fixing
- (E) Dress Ring
- (F) Spring Toggle

Clearance holes

Drill 14mm clearance holes in the wall using the appropriate drill bits.

Clearance hole centre distances:

- 300mm - Guest Towel Rail
- 600mm - Towel Rail