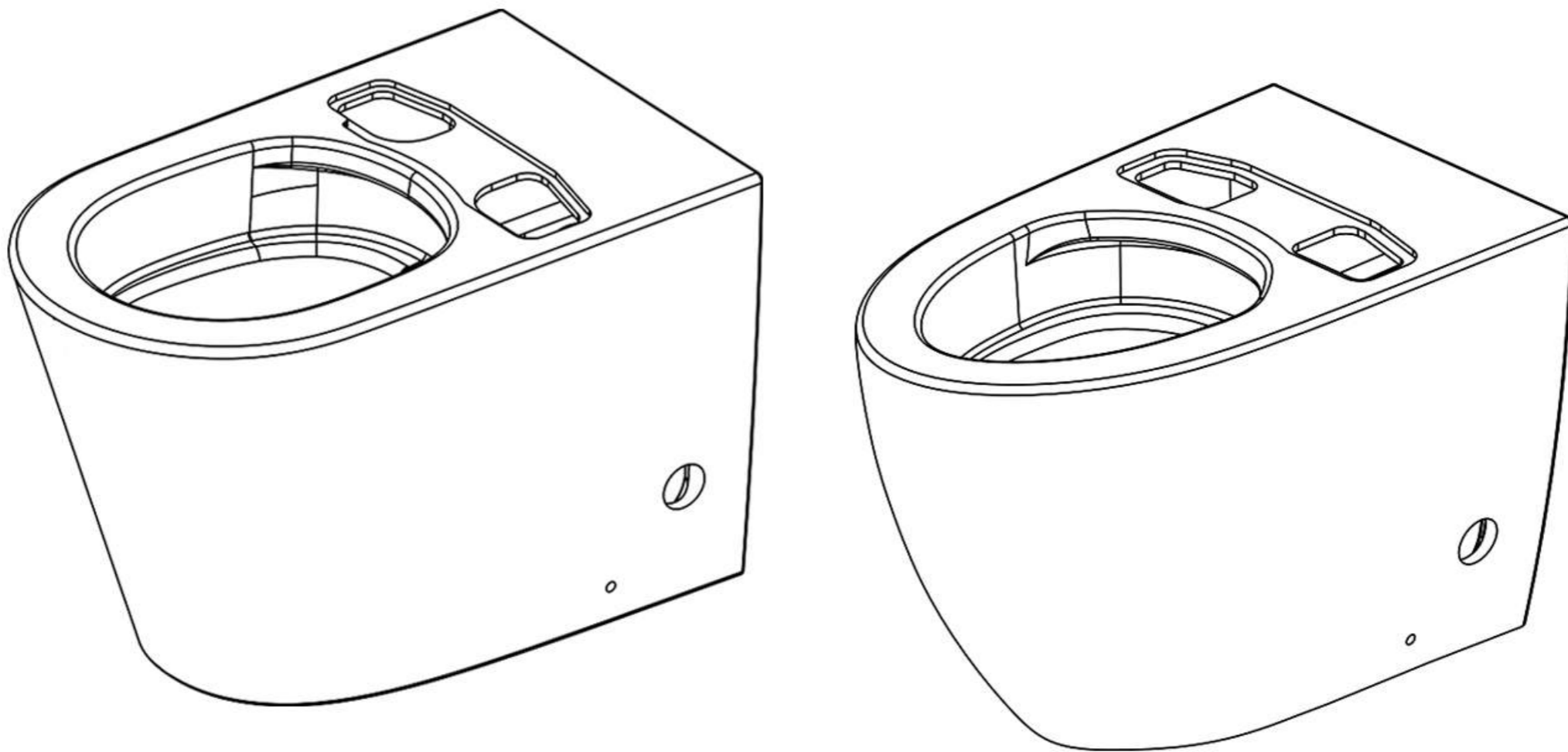




WALL FACED PAN

Installation Instructions



CDR003BTW1#WH
CEL003BTW1#WH



IMPORTANT!

Please read these instructions **prior** to installation

IMPORTANT NOTE TO INSTALLER

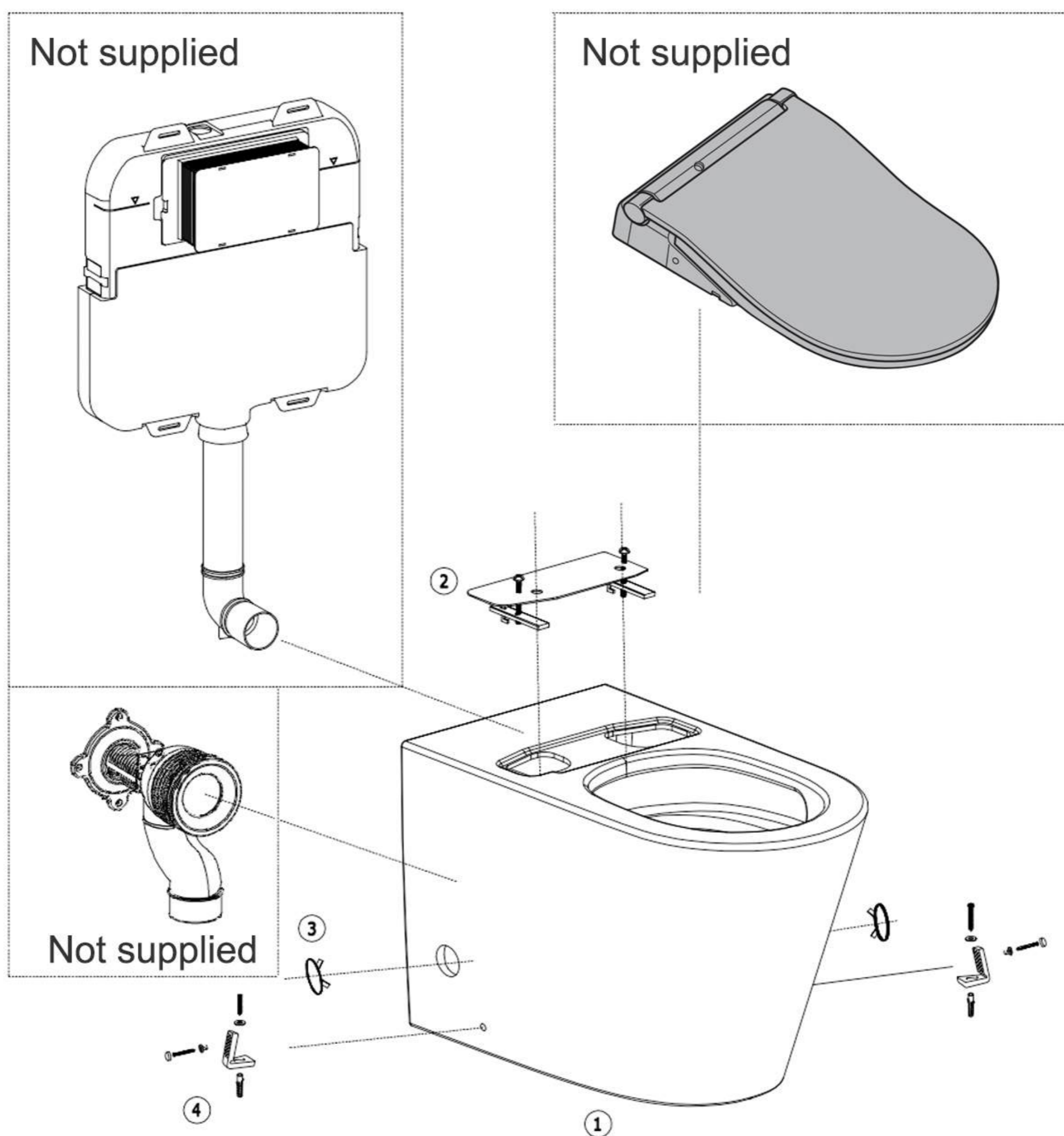
- When the product has been unpackaged from packaging, please inspect the product to ensure it is in good order and condition and that all parts required for correct installation have been supplied. Any product that is faulty or has parts missing is to be returned to the store of purchase.
- Be sure to use proper tools and always wear proper personal safety accessories for your protection.
- Ensure the incoming mains water supply is switched off prior to commencing the installation.
- Check the chosen floor space for any pipes/cables prior to drilling the floor.
- Installation should be carried out by a qualified, licenced tradesperson.

★For installation instructions of the inwall cistern please refer to installation of the particular cistern chosen to be paired with the toilet pan. It is important to take note of the floor and wall thicknesses in order to correctly position the flush pipe and waste setout so it aligns with the toilet pan. This needs to be re-checked at final fitoff. The pan inlet and flush pipe outlet **MUST** align perfectly.

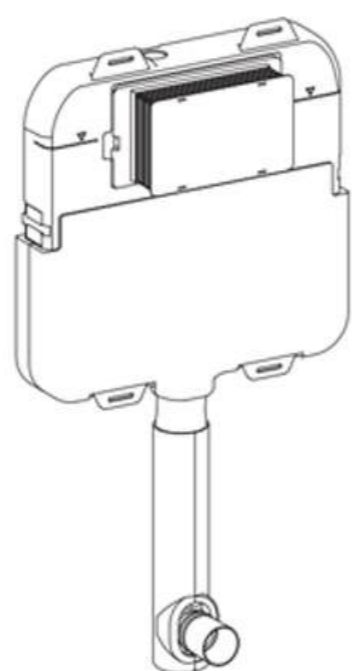
SCOPE OF USE

- Installation is subject to the requirements of the applicable regulatory authority, the national construction code volume three—plumbing code of Australia, associated reference standards as applicable at the time and AS/NZS 3500.
- cold water supply use only.
- Suitable for indoor use.
- To install, tighten each inlet connection to 10Nm Max. torque.
- Leakage test shall be done before first use.
- Only qualified plumber for installation and maintenance.
- Material of pan: Ceramic
- Max water supply temperature: cold water only, (4-40)°C
- Operating pressure: (0.1-0.5MPa)
- Only WaterMark certified components could be used to match with those WC pans & cisterns.
- Inlet and outlet valves were supplied from our appointed components only.

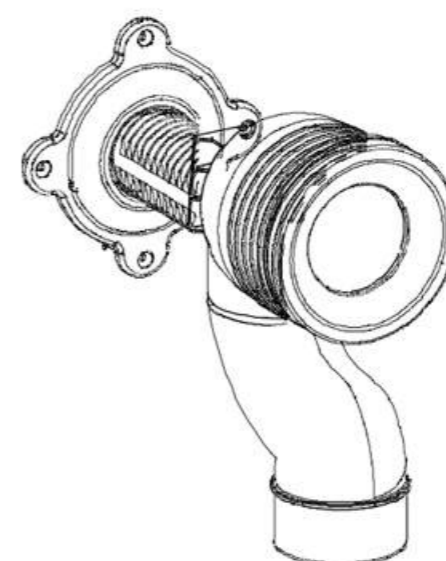
Exploded View



Toilet seat and cistern sold separately
Waste pipe sold separately if a new installation

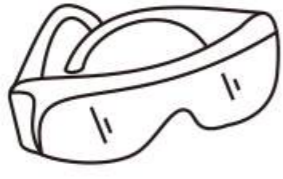


Matching with Concealed Cistern



Matching with S-Connector

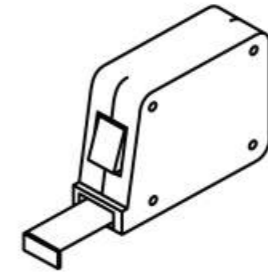
Suggested Tool & Materials



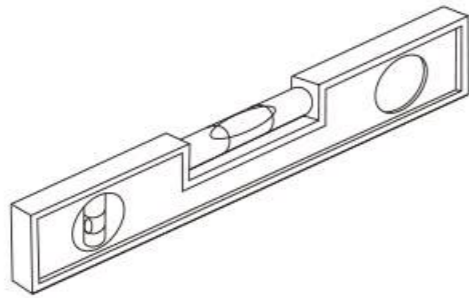
Safety Glasses



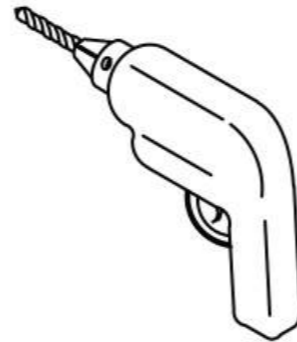
Wrench



Tape Measure



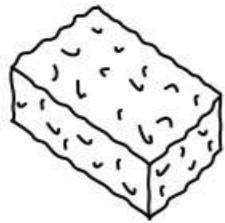
Level



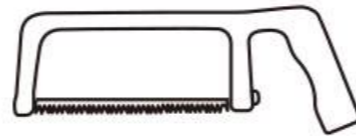
Drill & Bits



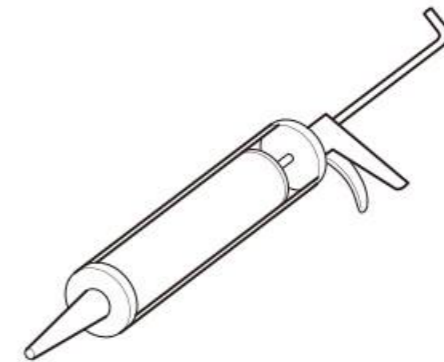
Screw Driver



Sponge

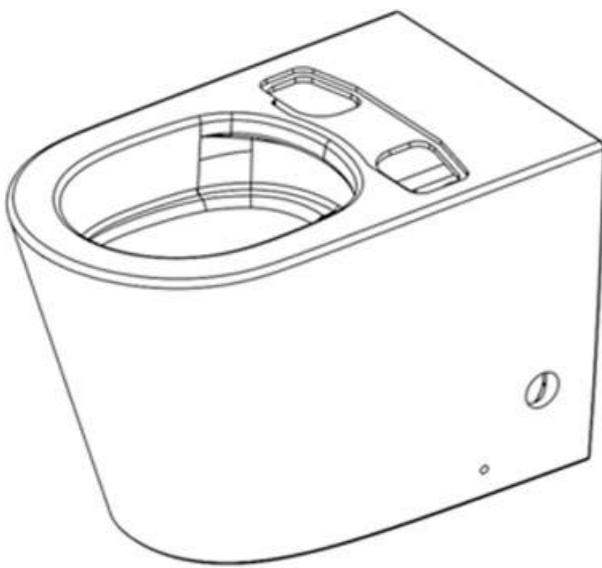


Hacksaw



Caulking Gun

Included parts



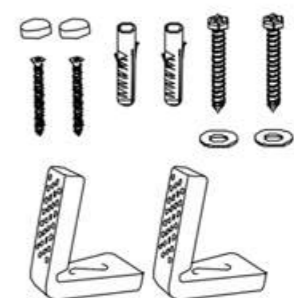
①



②



③

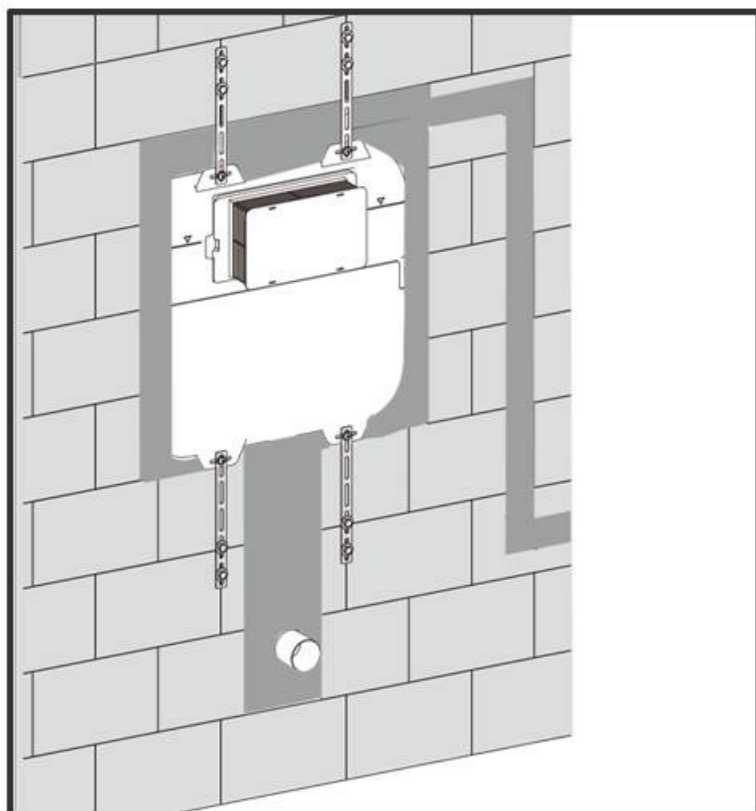


④

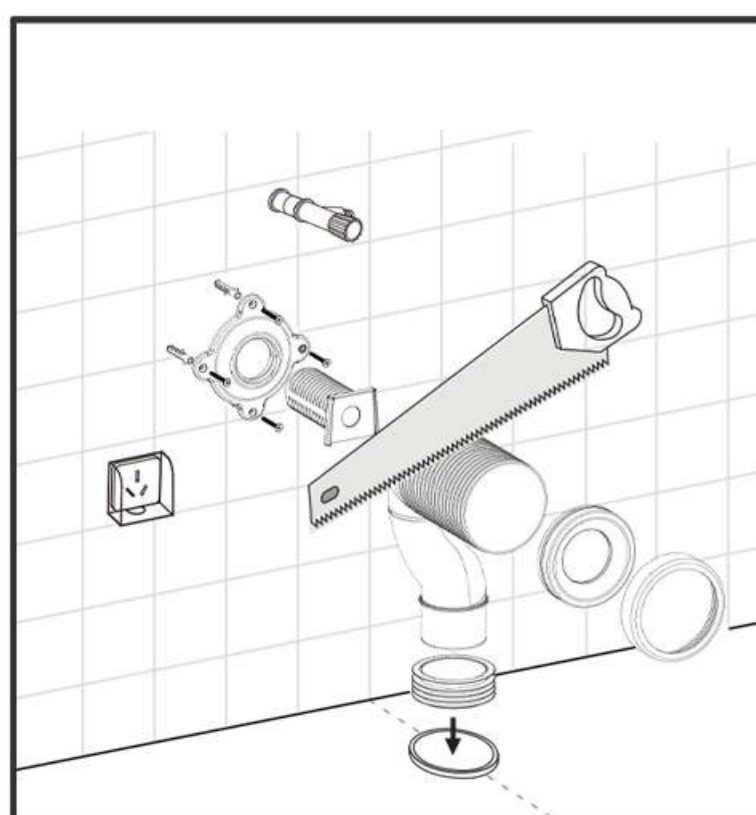
1. Install Tank Carrier System

For installation instructions of the inwall cistern please refer to webpage of the particular cistern chosen to be paired with the toilet pan.

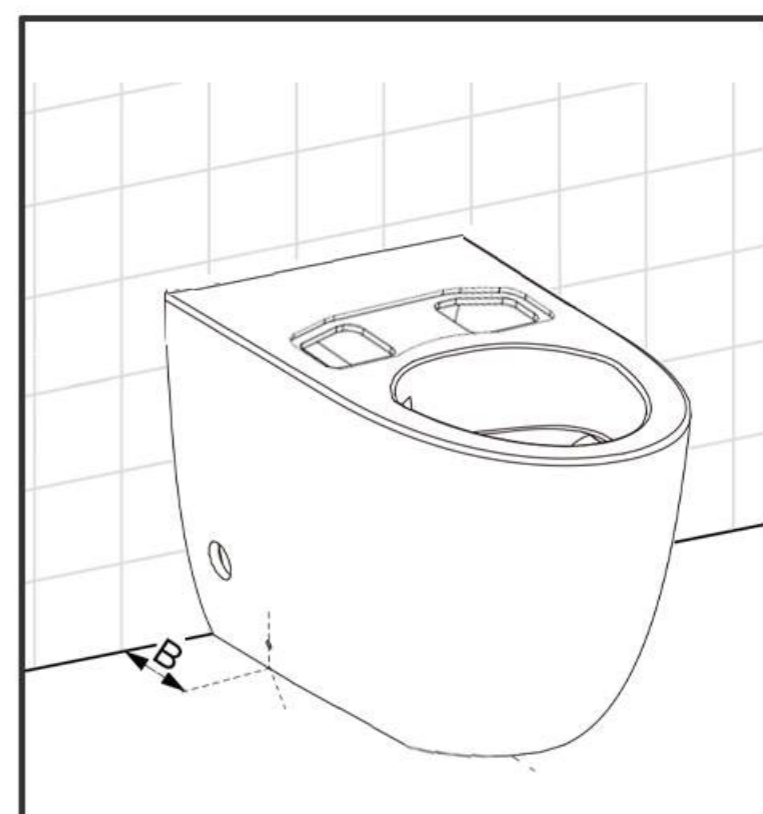
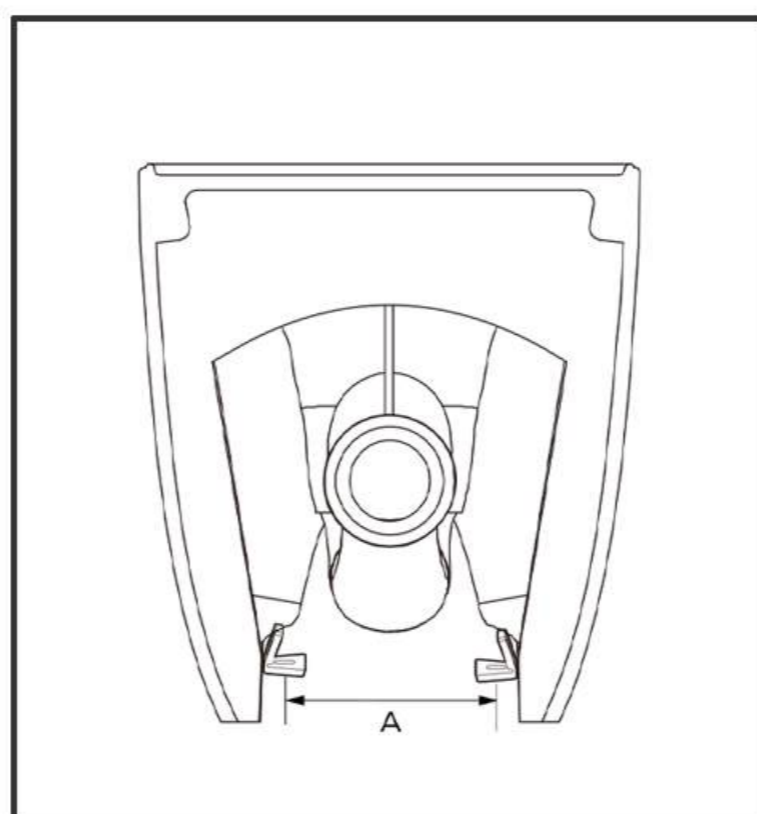
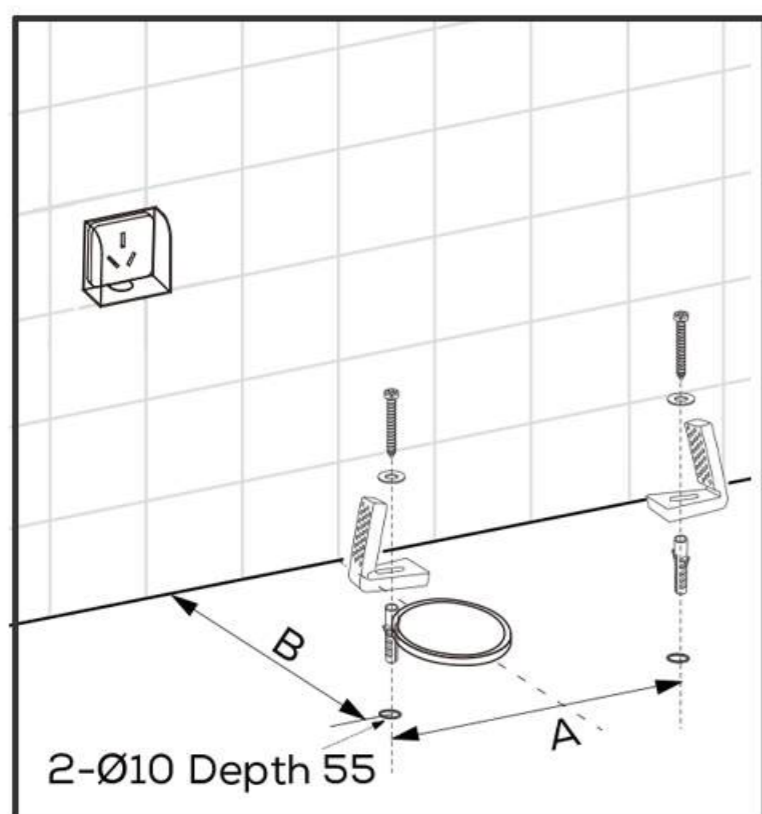
It is important to take note of the floor and wall thicknesses in order to correctly position the flush pipe and waste setout so it aligns with the toilet pan.



2. Cut the pan connector down to the correct length and set it in place.

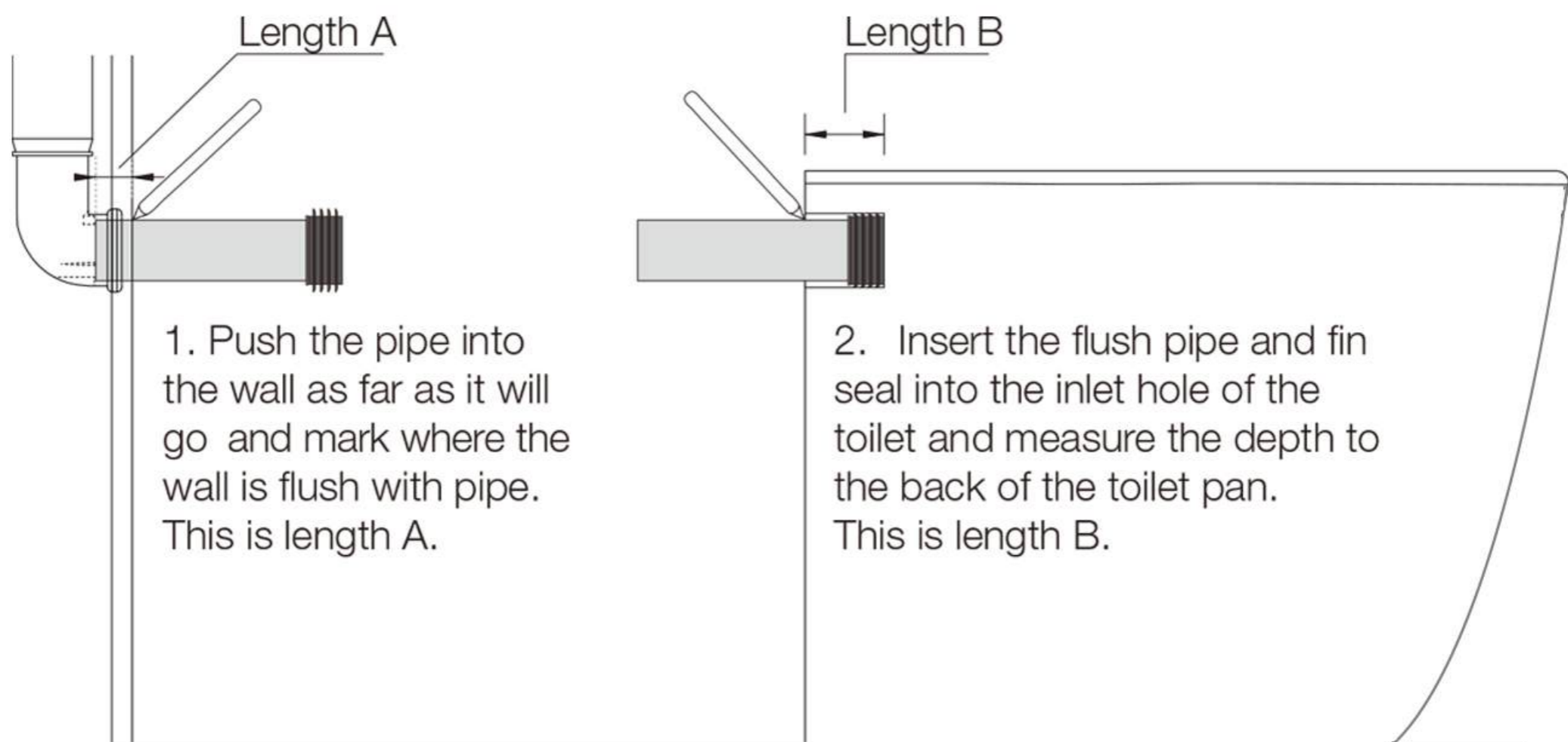


3. Fasten the two fixing brackets to the floor and ensure that they will line up with the fixing holes on the side of the toilet pan.

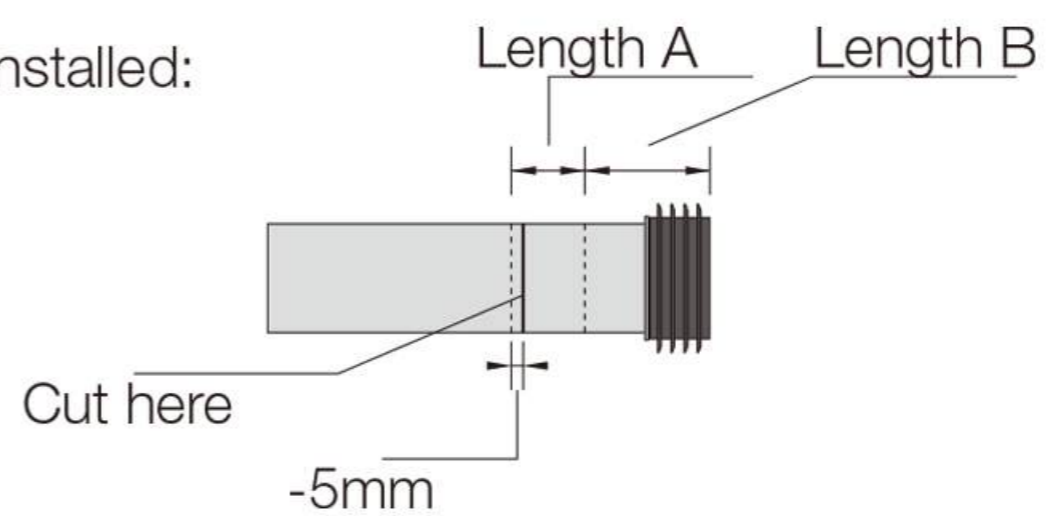


4. Install the flush pipe as shown below.

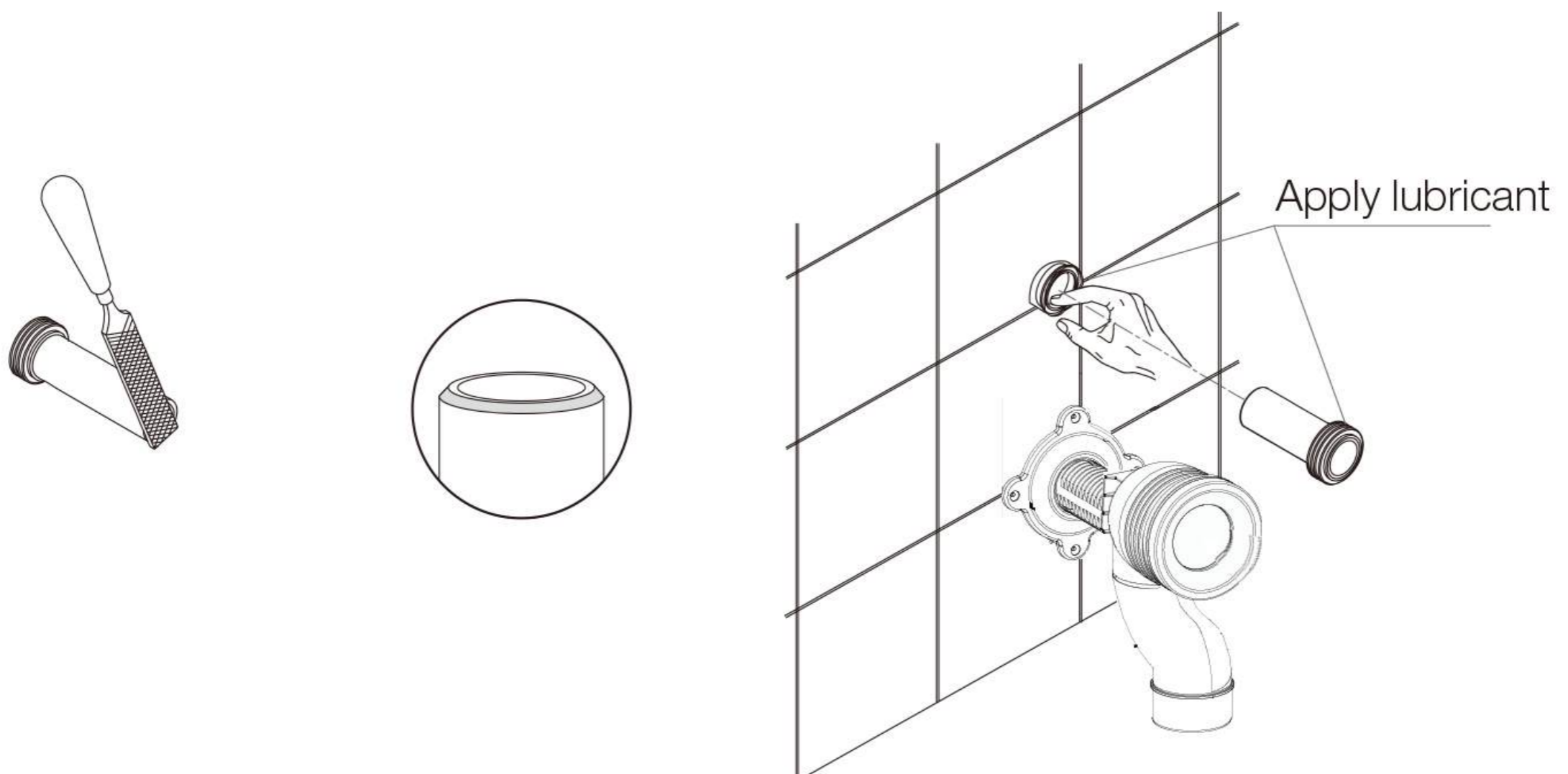
4a. Measure the correct length of the Horizontal Flush Pipe as follows:



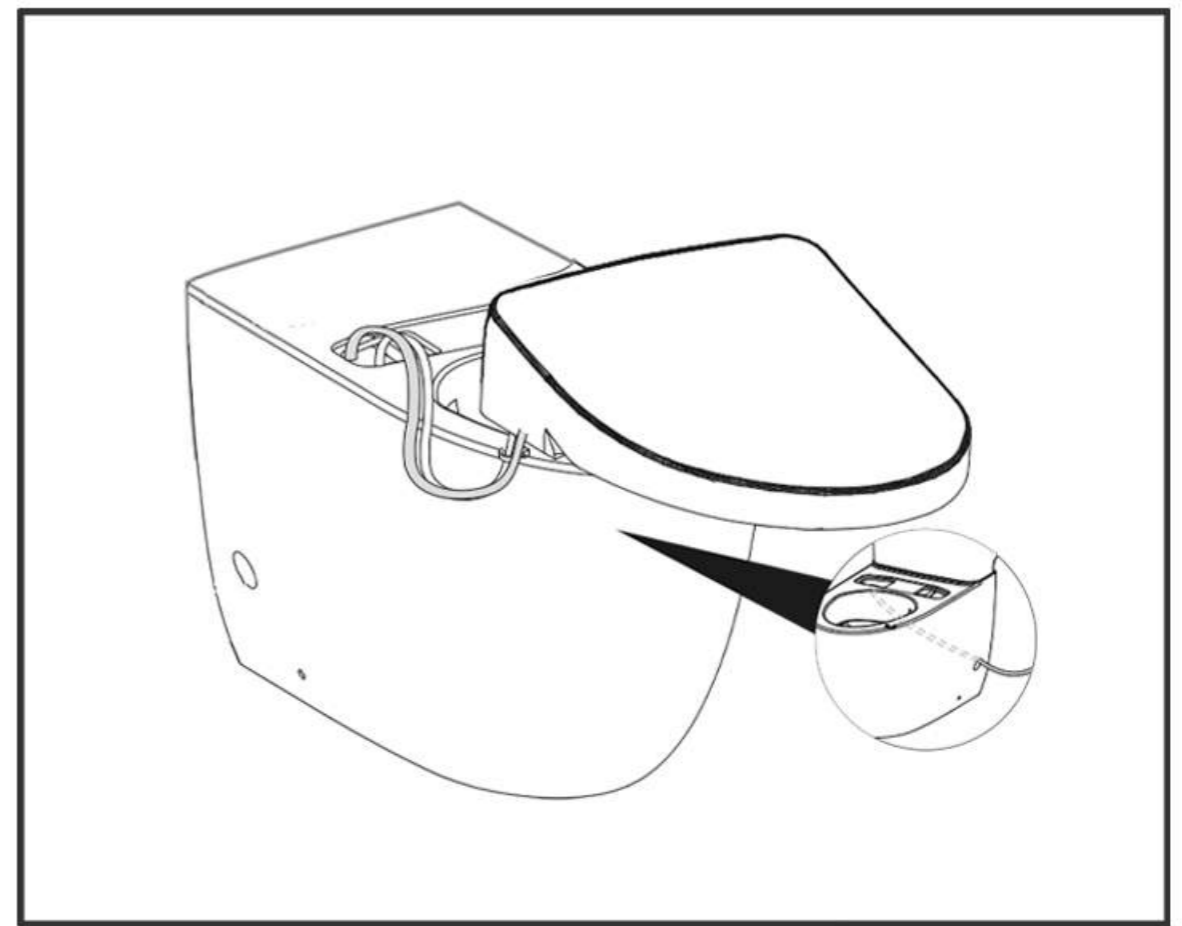
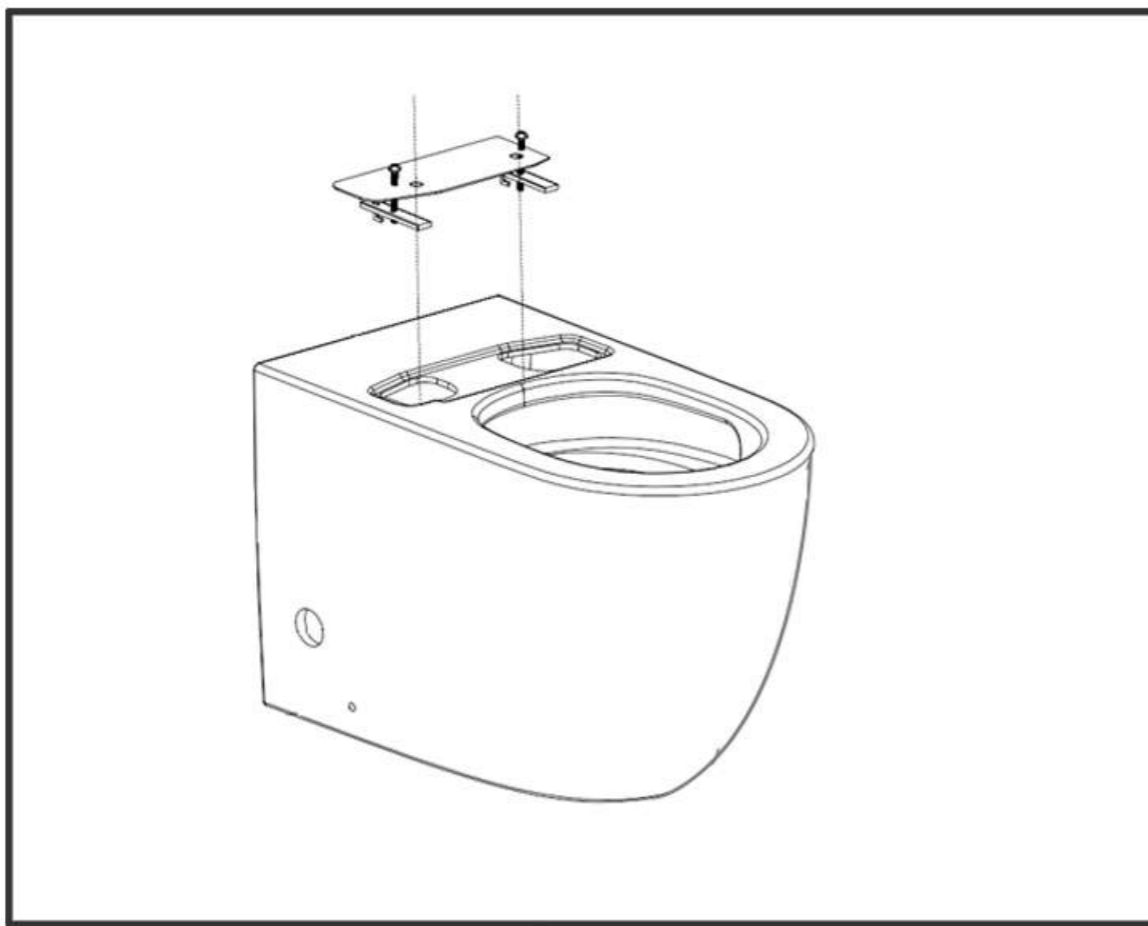
3. Length of Flush Pipe with Fin Seal Installed:



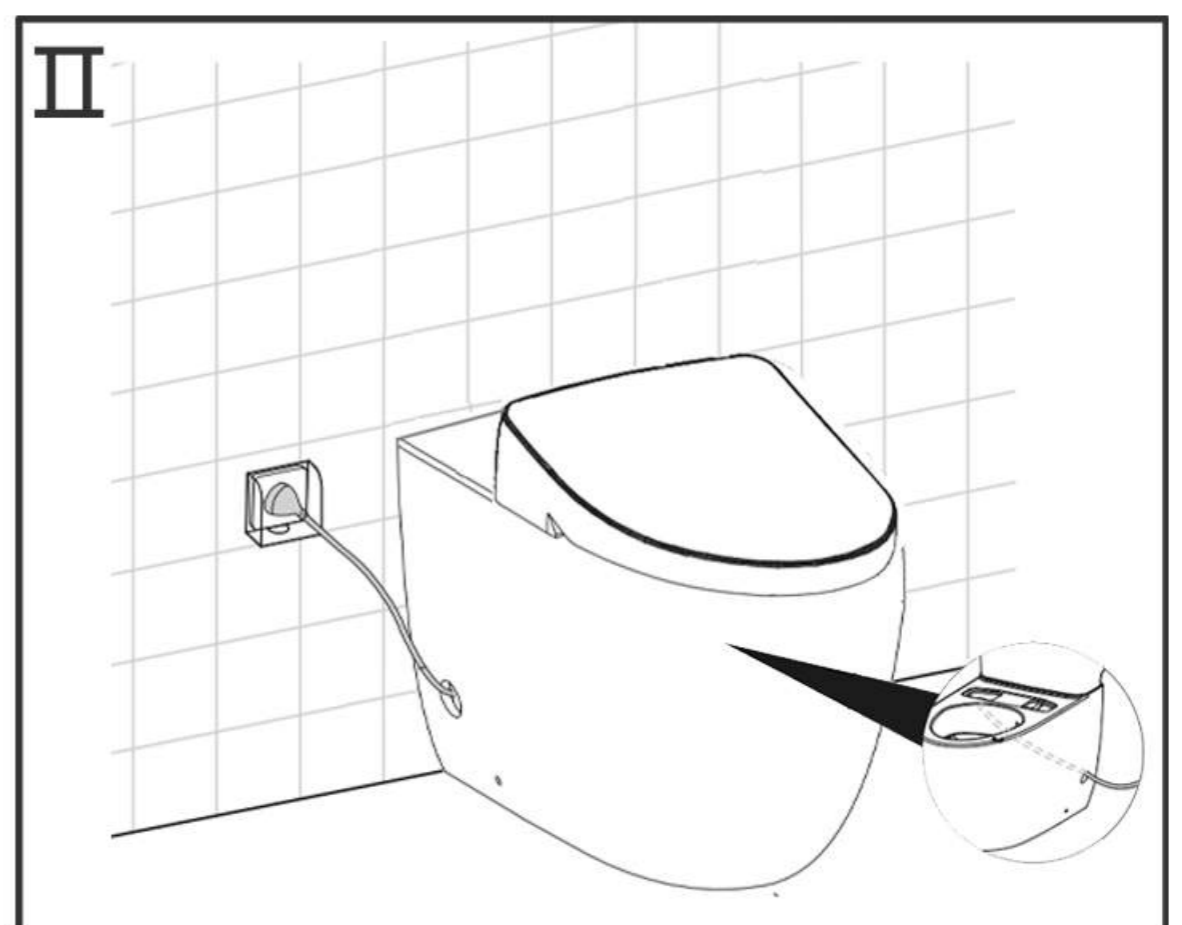
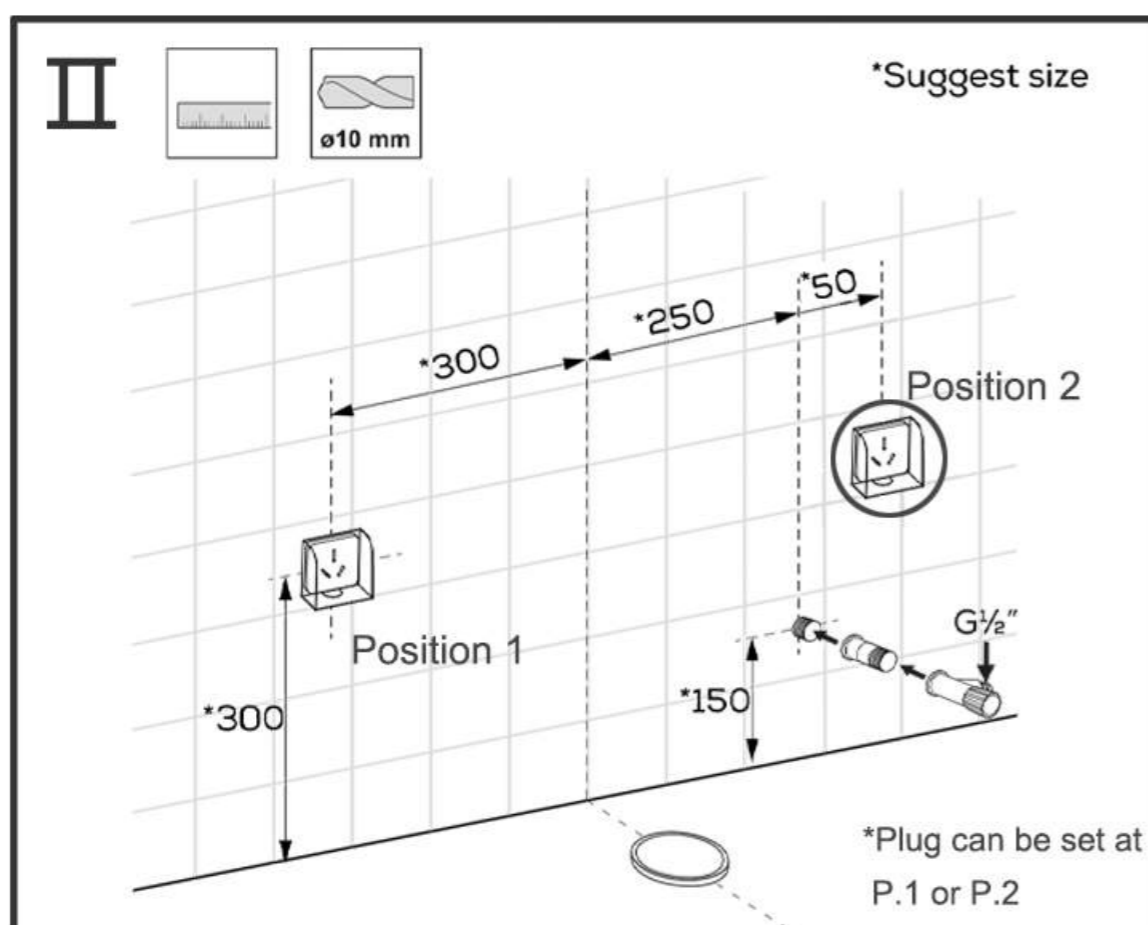
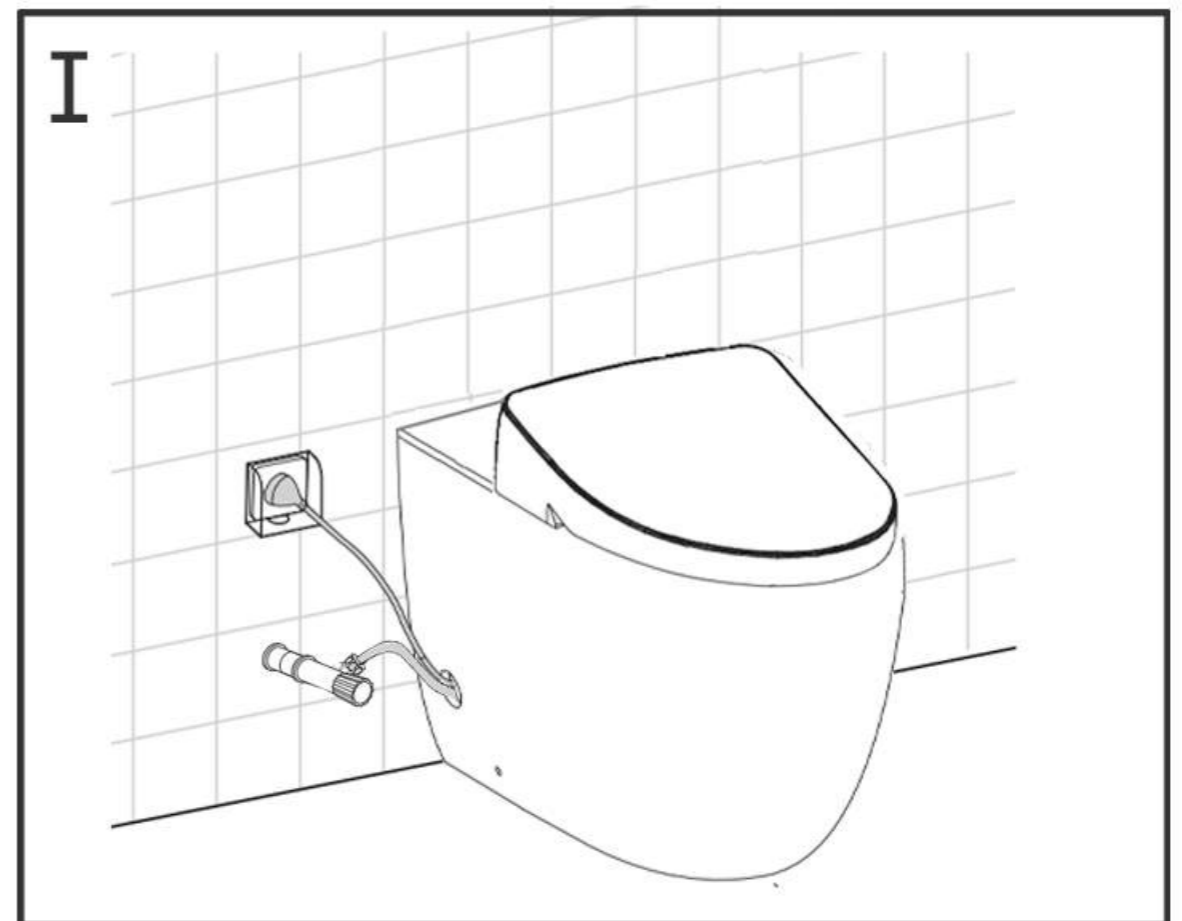
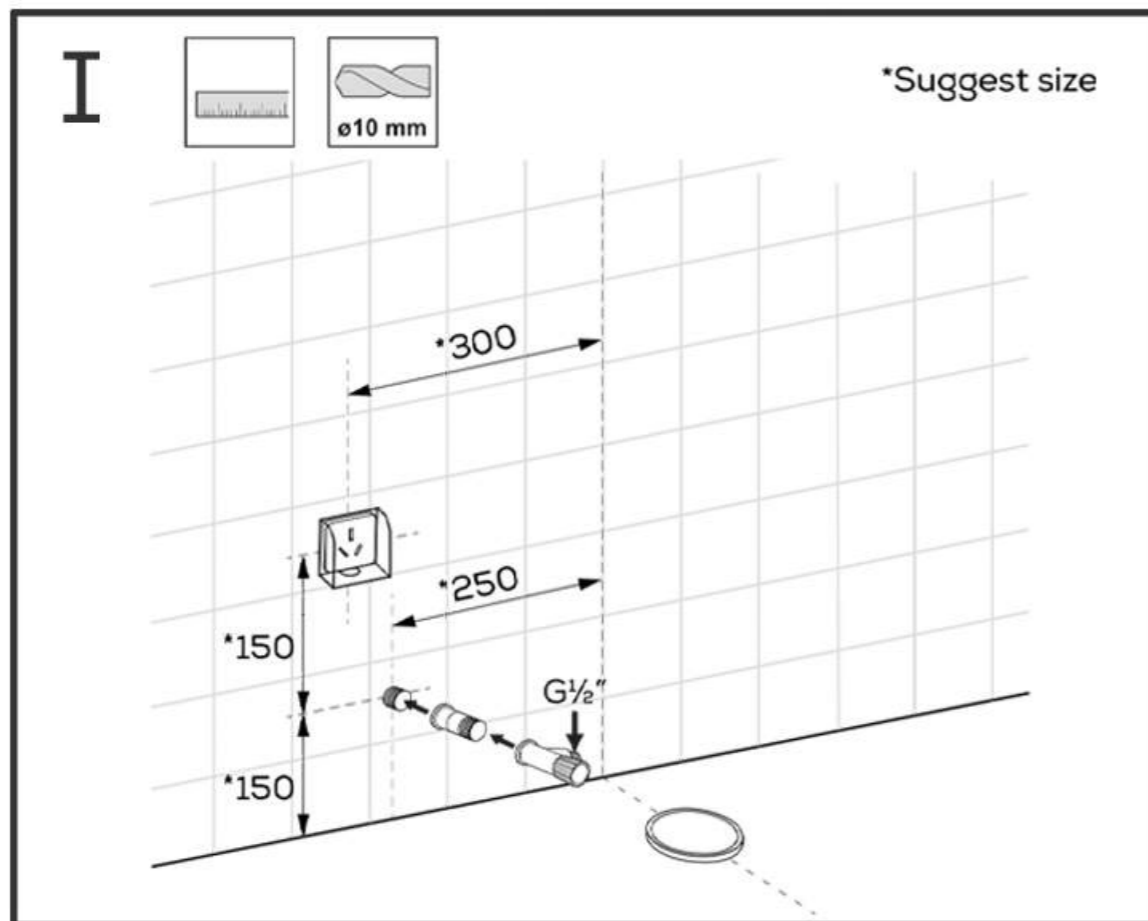
4b. Cut the pipe and chamfer the edge of the cut flush pipe. Apply lubricant to the fin seal to assist install.



5. Install stainless steel base, Tidy up the connecting pipe and power cord of washlet.



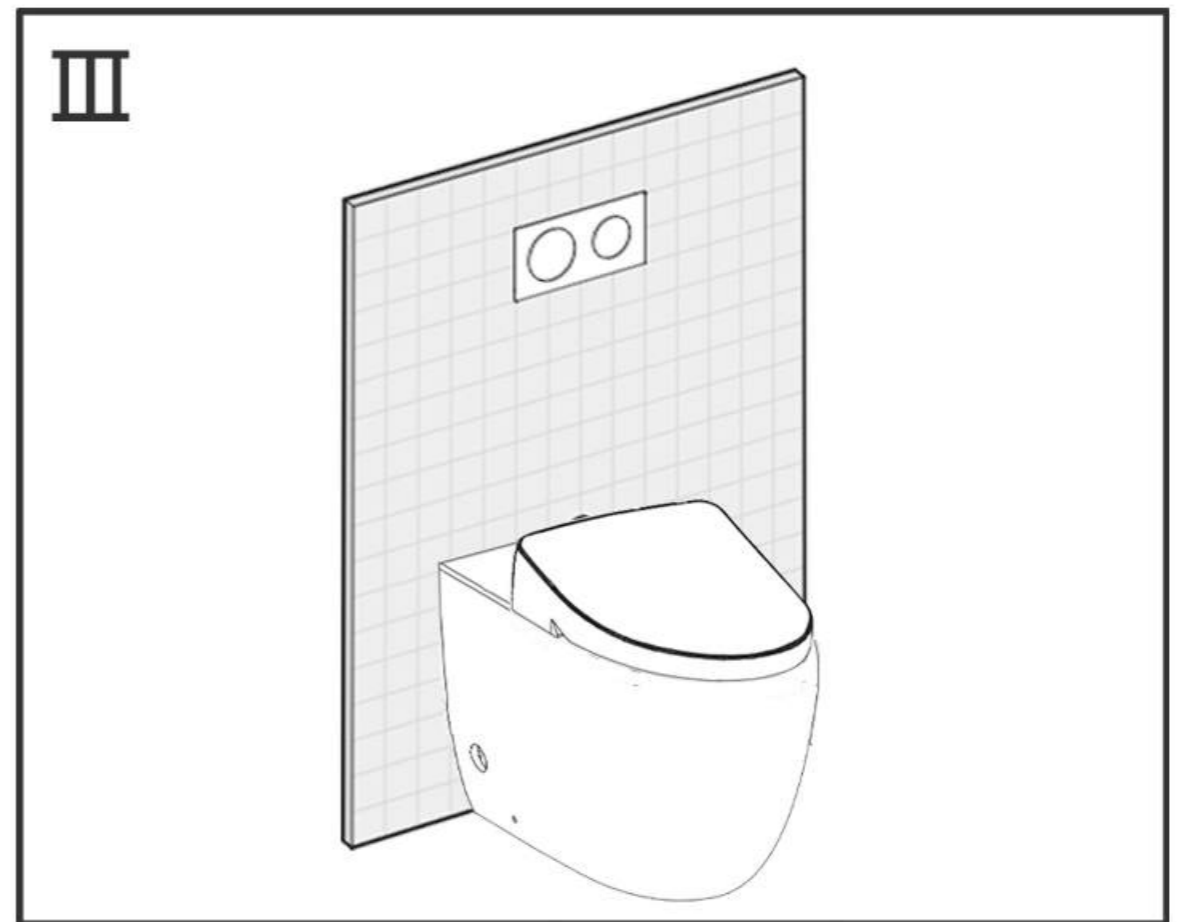
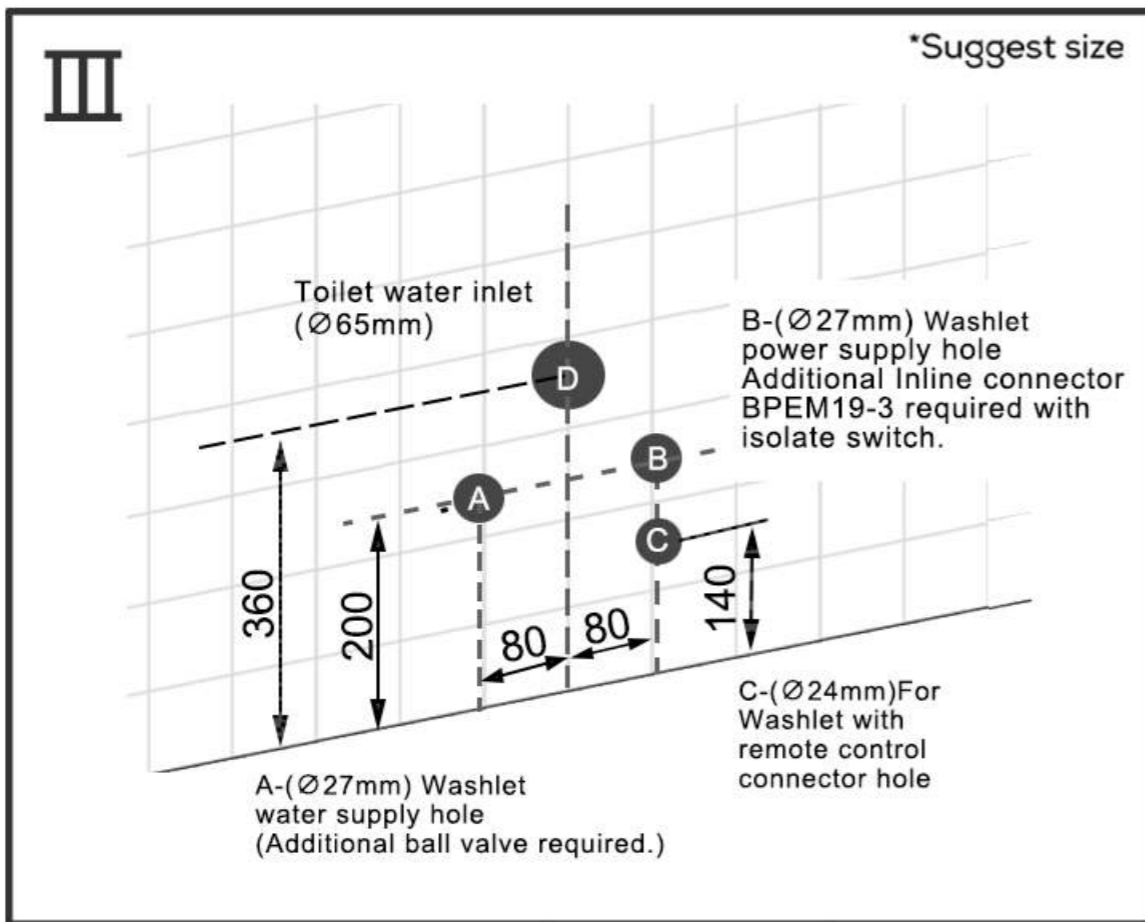
6. Connection of pipe and power cord of washlet



I

II

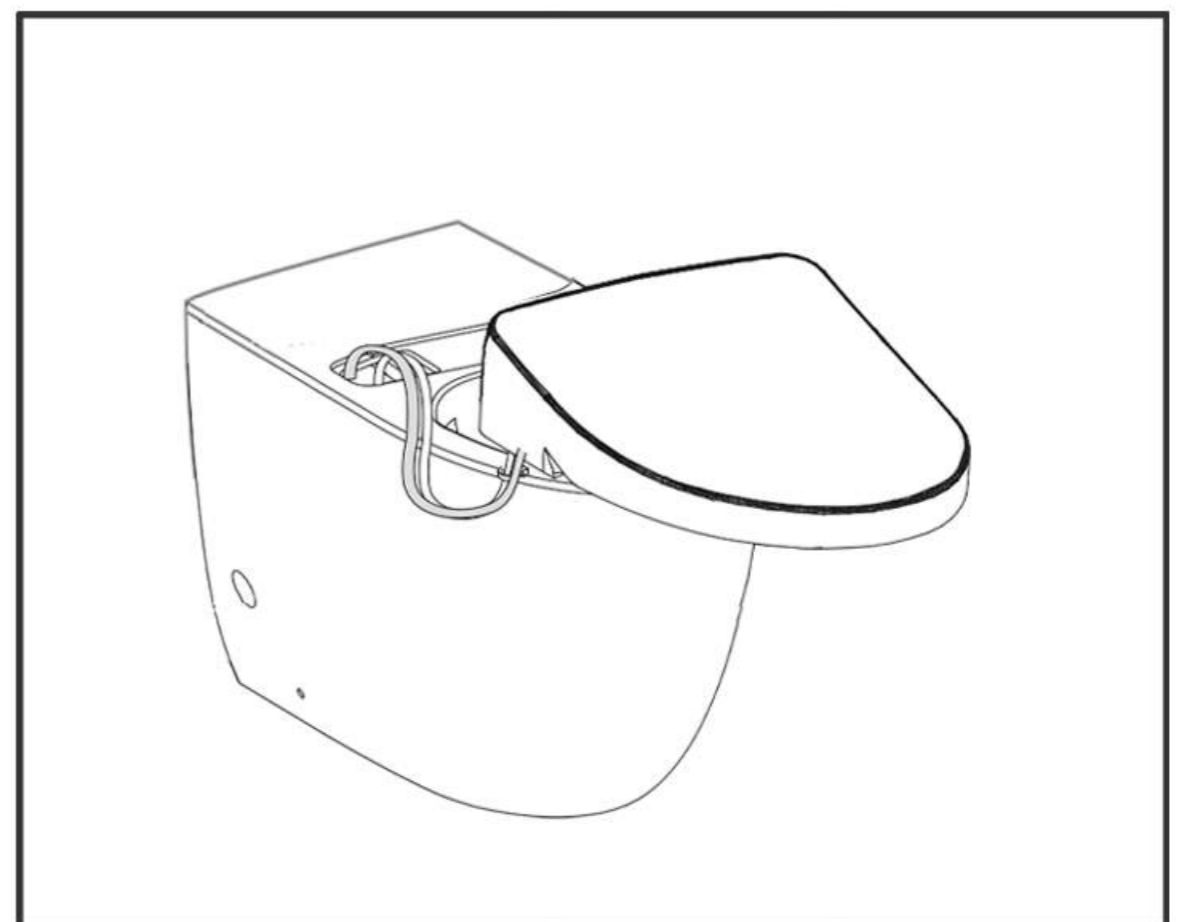
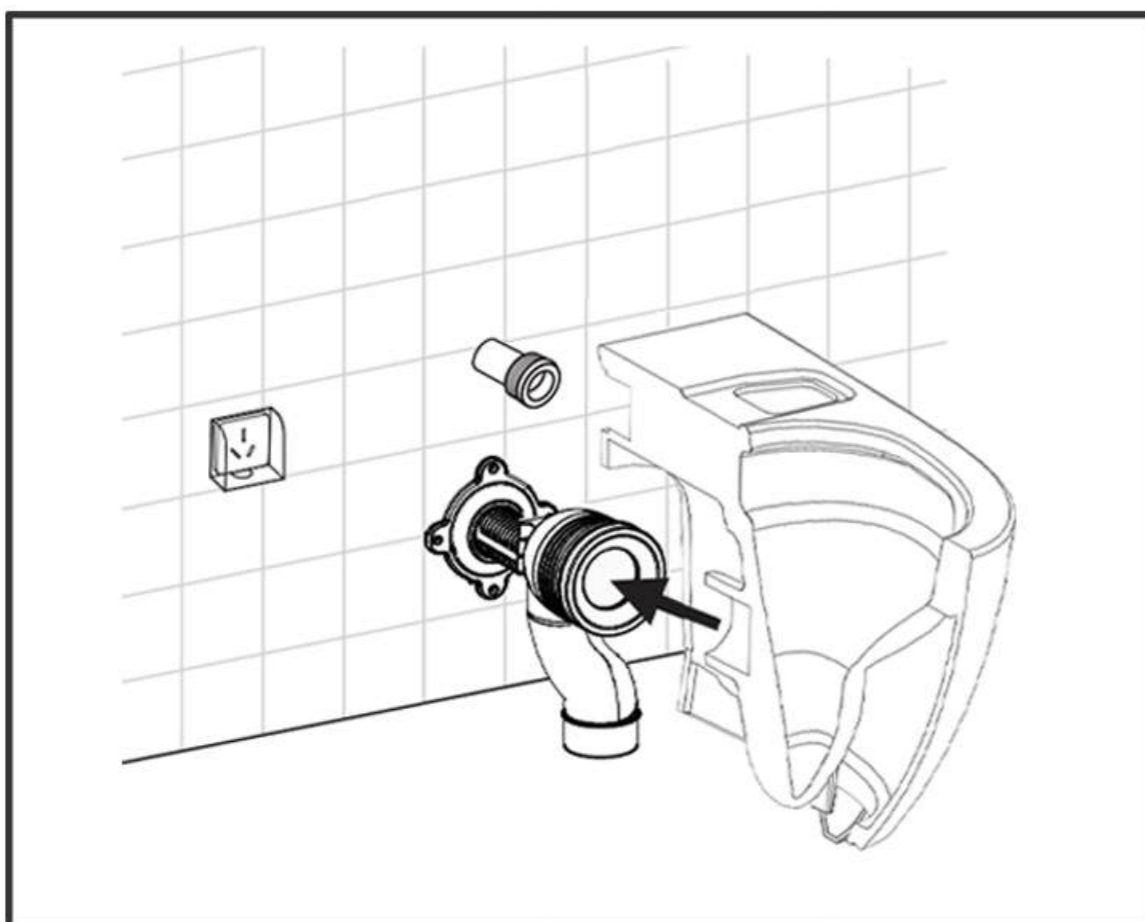
Exposed installation of washlet water pipe and plug



III

Concealed installation of washlet water pipe and power connector

7. Push the toilet pan back against the wall, ensuring that the pipe connections are perfectly aligned. To make the connection easier, apply some lubricant to the pipes. Then install the washlet .



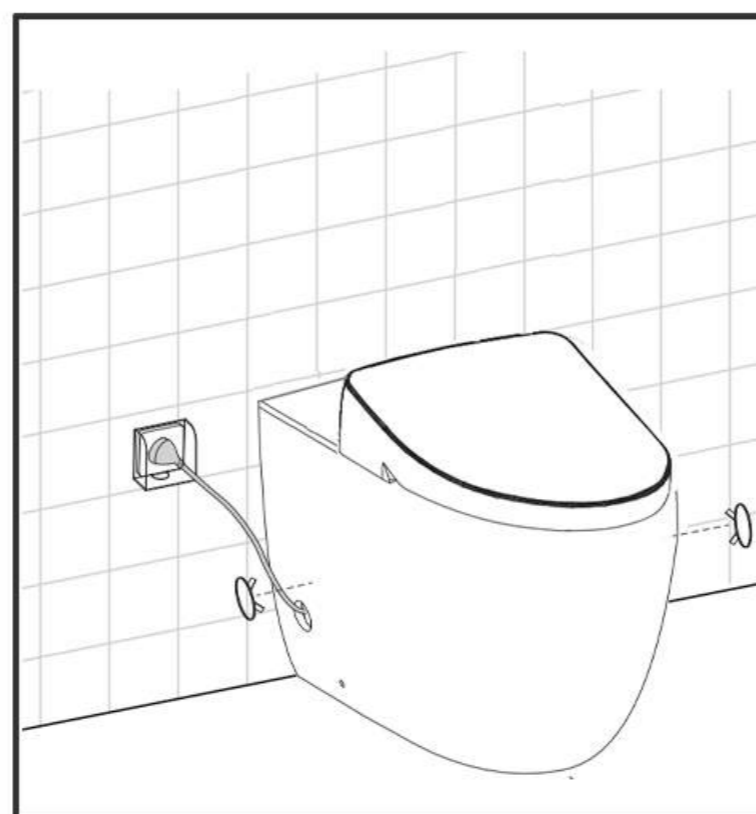
8a. Install the plastic screw sleeves and use the screws to fix the toilet to the brackets. Attached the caps to the screw heads.

8b. Install capping plug.

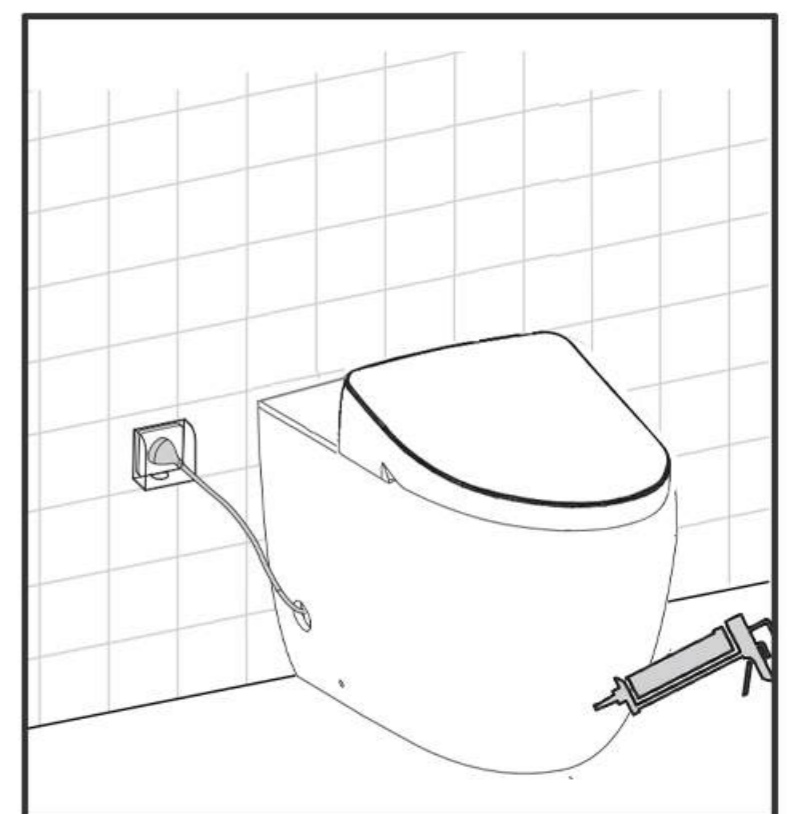
8c. Apply a suitable sealant between the pan and adjacent surface.



8a



8b



8c