



Features

- **CEFIONTECT Technology:** super smooth, ion barrier glazing for a clean toilet bowl
- **TORNADO FLUSH** for powerful flushing with less amount of water
- **RIMLESS DESIGN** bowl ensures easy cleaning and ultimate hygiene
- **EWATER+** keeps nozzle and bowl clean with sanitizing effect against bacteria
- Fully equipped with rear, front and oscillating & pulsating cleansing function
- Temperature control **HEATED SEAT**
- **PREMIST** a fine spray of mist making it difficult for dirt to adhere
- **Auto lid opening and closing**

EWATER+ is made from tap water by electrolyzed chloride ion. After use, it returns back to ordinary state of water

Specifications

BOWL:

Flush System: TORNADO FLUSH
 Water Use: 4.5L / 3L
 Rough-in: H=220
 Bowl Shape: D-Shape
 Water Pressure: 0.05MPa~0.75MPa
 Size: 380W x 580D x 335H mm

WASHLET:

Power Rating: 220~240V , 50/60Hz , 826~837W
 Length of Power Cord: 0.9 m
 Size: 383W x 579D x 108H mm



Parts description

Seat & Cover are not included

- D-Shape Wall Hung Closet Bowl (P-Trap) with Concealed feature, hiding all wiring inside the bowl
- Concealed WASHLET RW (Auto Flush)
- Concealed Tank (4.5L / 3L)

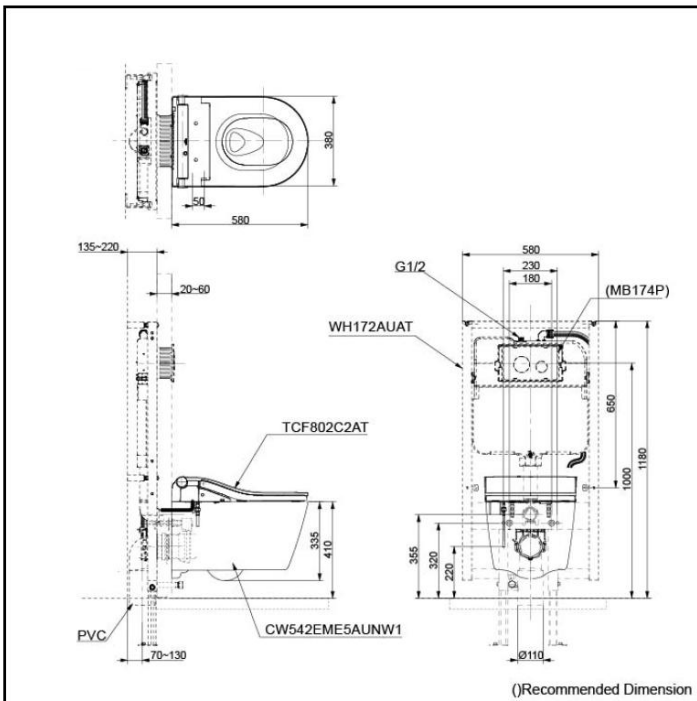
NOTE

- **DO NOT COUPLE THIS WC WITH FLUSH VALVE**

Colors

White

Certifications





Features

- Dual Flush System
- WATER SAVING
- Auto-Flushing Feature
- Compatible with WASHLET+

Specifications

Water Use: 4.5L / 3.0L
Water Pressure: 0.05MPa~0.75MPa

Parts description

- Concealed Tank (4.5L / 3.0L)



NOTE

- For the matching toilet and Washlet combinations, please refer to our "WASHLET+" category.

Certifications

