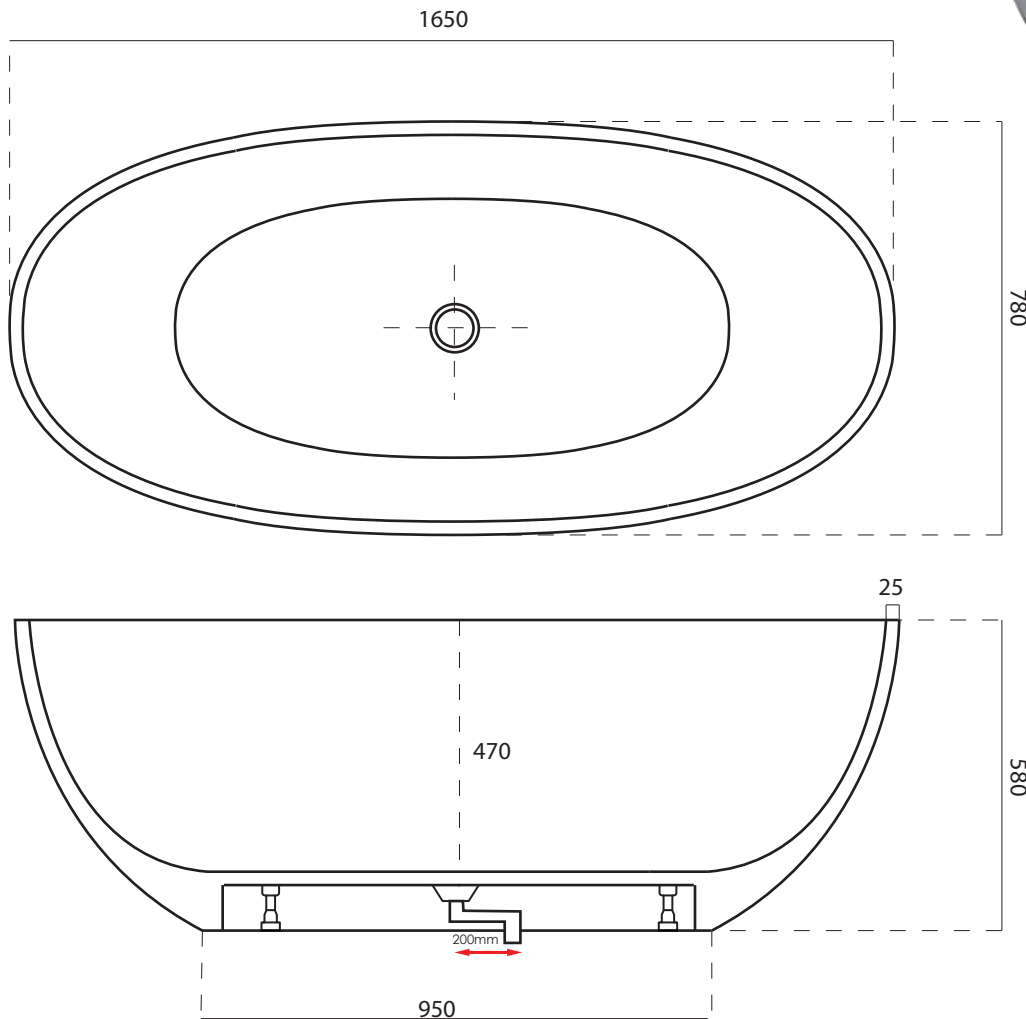


### Features:

- Smooth solid matt white finish (gloss by custom order)
- Italian Design & Engineering
- Superior Heat Retention
- Pop Up Waste - Installed
- 1mtr Flexible Drain Hose for Easy Installation (DN40)
- Galvanised Metal Base Support
- Adjustable Leg Height For Levelling
- Scratch and Stain resistance
- Repairable Material
- Australian Standard (SAI)  
AS/NZS 3718:2003

## Teresa



### Specifications:

- Net Weight: 158 Kg
- Crate size:  
L 1750, W 880, H780mm
- Gross Weight: 185Kg

