

The last bastion of privacy, a space of peace and tranquillity, your Bathroom
 Enjoy the look and feel of our European Bathroom fittings and fixtures.
 Designed and made to the highest International and Australian standards.



moda

CAST STONE BATH



SYDNEY

Woollahra

163 Edgecliff Road

Woollahra NSW 2025

T 02 9386 9809

Chatswood

Unit 36/28 Barcoo Street

Chatswood NSW 2067

T 02 9882 2044

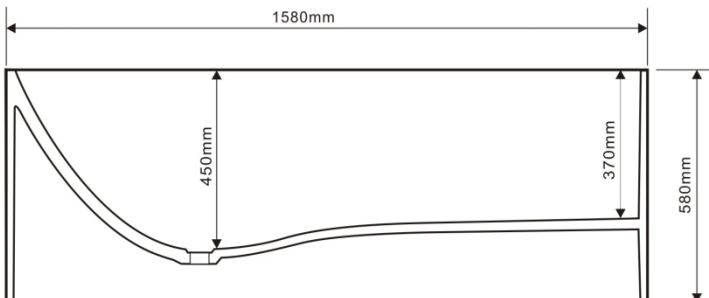
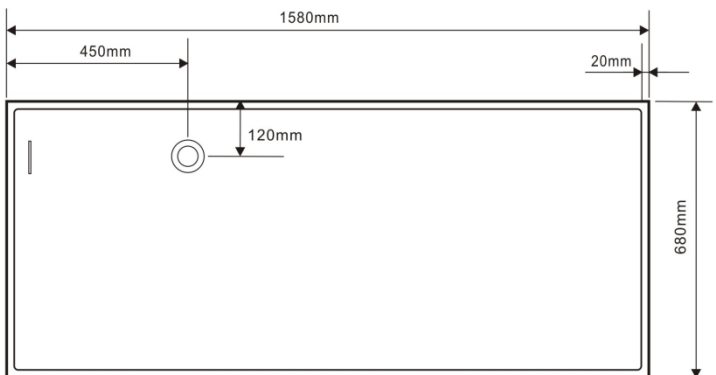
MELBOURNE

Richmond

229 Swan Street

Richmond VIC 3121

T 03 9428 9996



- Code: A-133A
- 70% Stone Composite
- 10yr Warranty
- Smooth solid matt or gloss white finish
- Stone pop up waste
- Repairable
- Net Weight 162Kgs
- Gross Weight 200Kgs
- Product Size 1580x680x580mm
- Crated size 1680x780x780mm

SPECIAL NOTE:
 Please be advised this bath
 has a low set waste and does
 not come supplied with an
 extendable hose.

Our Beautiful
 Stone Free
 Standing Bath
 Series are
 constructed of
 25mm thick
 reconstituted
 limestone with a
 70/30 to resin
 ratio, are smooth
 and silky to the
 touch.

As part of ACS commitment to quality products. Information provided in this data sheet is representative of the actual product available at the time of printing. Due to our commitment to continuous product design and development, the designs and specifications depicted are subject to change without notice. Please confirm all particulars with your ACS sales consultant prior to purchase. Each product is covered by a limited warranty. Please see our website for full terms and conditions. This drawing remains the property of ACS and should not be copied or distributed without ACS consent. © 2010 All Dimensions are approximate in mm and are not to scale.