

The last bastion of privacy, a space of peace and tranquillity, your Bathroom
 Enjoy the look and feel of our European Bathroom fittings and fixtures.
 Designed and made to the highest International and Australian standards.



moda

SOSTA CONCEALED ACRYLIC BATH

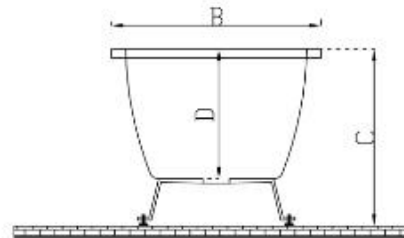
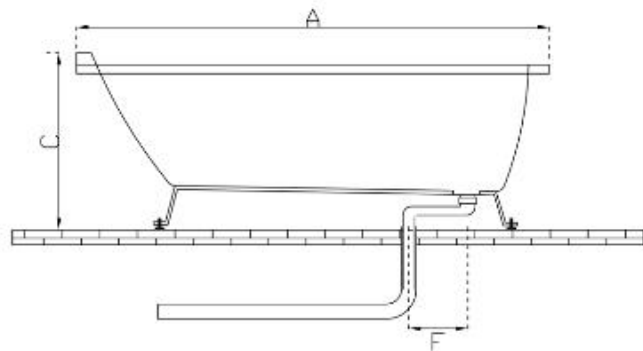
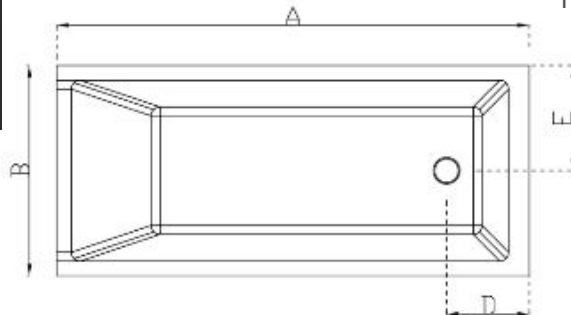


Our Beautiful
 Concealed Bath
 Series are
 constructed of
 8mm thick
 reinforced
 acrylic are non
 slip and smooth
 to the touch.

SYDNEY
 Woollahra
 163 Edgecliff Road
 Woollahra NSW 2025
 T 02 9386 9809

Chatswood
 Unit 36/28 Barcoo Street
 Chatswood NSW 2067
 T 02 9882 2044

MELBOURNE
 Richmond
 229 Swan Street
 Richmond VIC 3121
 T 03 9428 9996



- Code: A-803
- 8mm Acrylic reinforced with fibreglass
- 10yr Warranty
- Smooth gloss white finish
- Non Slip
- Polished chrome popup waste
- Overflow kit installed
- Adjustable galvanised metal legs for levelling
- 1mtr 40mm Flexible waste hose for easy installation
- Galvanised supporting under carriage
- Net Weight Kgs – See table
- Australian Standard (SAI)
- AS/NZS 3718:2003



| Model | A-803 | | | | | | Weight |
|-------|-------|-----|-----|-----|-----|-----|--------|
| Size | A | B | C | D | E | F | |
| | 1500 | 700 | 600 | 450 | 350 | 200 | 23kg |
| | 1600 | 700 | 600 | 450 | 350 | 200 | 25kg |
| | 1700 | 800 | 600 | 450 | 400 | 200 | 32kg |

As part of ACS commitment to quality products. Information provided in this data sheet is representative of the actual product available at the time of printing. Due to our commitment to continuous product design and development, the designs and specifications depicted are subject to change without notice. Please confirm all particulars with your ACS sales consultant prior to purchase. Each product is covered by a limited warranty. Please see our website for full terms and conditions. This drawing remains the property of ACS and should not be copied or distributed without ACS consent. © 2010 All Dimensions are approximate in mm and are not to scale.