

The last bastion of privacy, a space of peace and tranquillity, your Bathroom  
 Enjoy the look and feel of our European Bathroom fittings and fixtures.  
 Designed and made to the highest International and Australian standards.



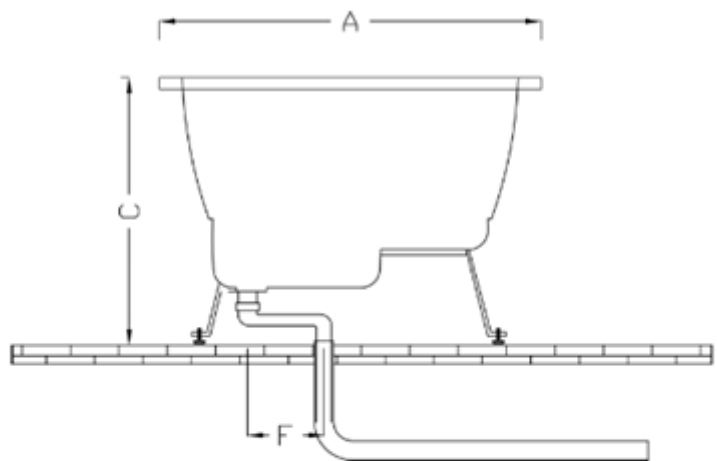
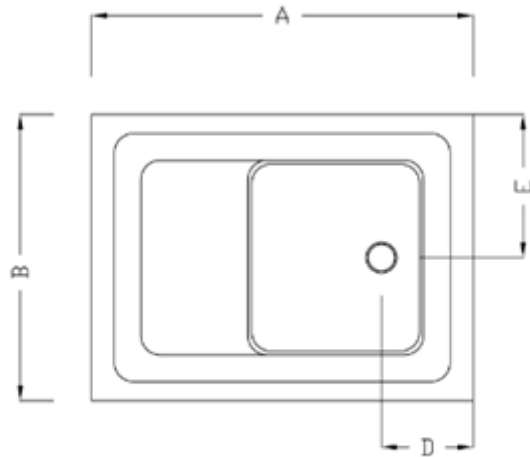
# moda

## BREVE CONCEALED ACRYLIC BATH



Our Beautiful  
 Concealed Bath  
 Series are  
 constructed of  
 8mm thick  
 reinforced  
 acrylic are non  
 slip and smooth  
 to the touch.

- Code: A-810
- 8mm Acrylic reinforced with fibreglass
- 10yr Warranty
- Smooth gloss white finish
- Non Slip
- Adjustable galvanised metal legs for levelling
- 1mtr 40mm Flexible waste hose for easy installation
- Galvanised supporting under carriage
- Net Weight Kgs – See table
- Australian Standard (SAI)
- AS/NZS 3718:2003



WaterMark  
 LIC. WMKA00381  
 SAI GLOBAL



Model	A-810						Weight
	A	B	C	D	E	F	
	1000	750	700	240	375	200	25kg

As part of ACS commitment to quality products. Information provided in this data sheet is representative of the actual product available at the time of printing. Due to our commitment to continuous product design and development, the designs and specifications depicted are subject to change without notice. Please confirm all particulars with your ACS sales consultant prior to purchase. Each product is covered by a limited warranty. Please see our website for full terms and conditions. This drawing remains the property of ACS and should not be copied or distributed without ACS consent. © 2010 All Dimensions are approximate in mm and are not to scale.