

# moda

## Code: C-102

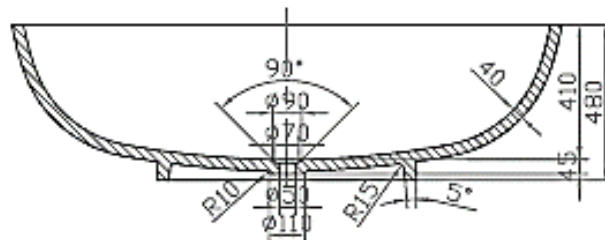
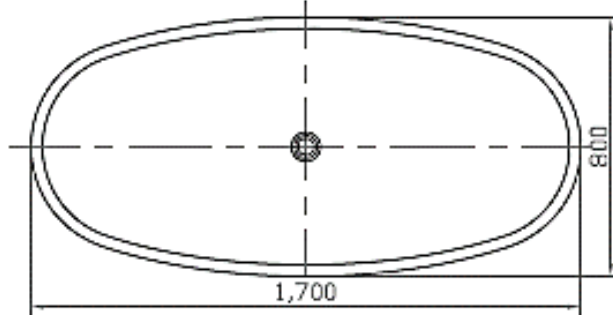
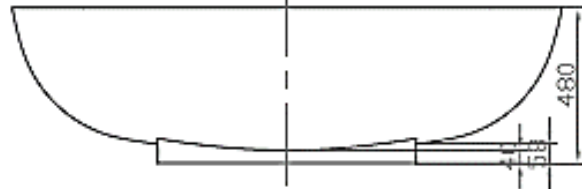
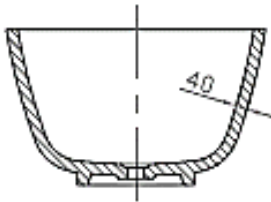
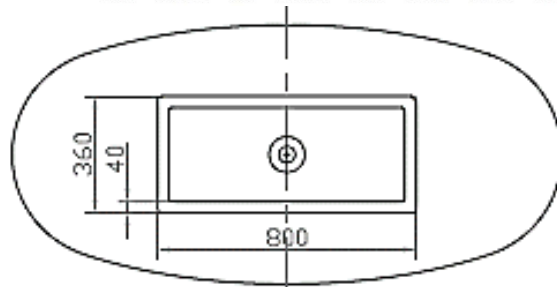
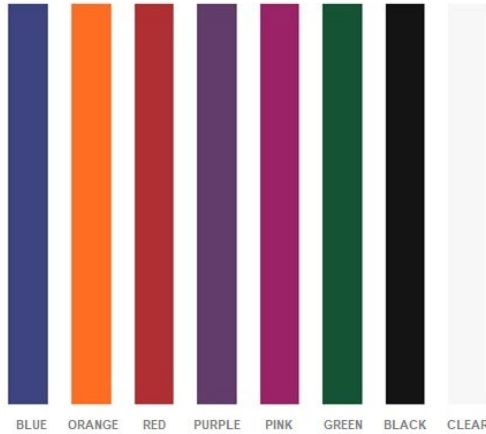
**Material:** Translucent 100% Resin  
**Size:** W 1700 x D 800 x H 480 mm  
**Warranty:** 10 Years

### Features:

- Freestanding Bath
- Smooth Translucent Gloss Finish
- Italian Design & Engineering
- Solid Material
- Suits 40mm waste
- Australian Standard (SAI)
- AS/NZS 3718:2003

## CARRIE

Colour Range



### Specifications:

- Crate size:  
W 1850 x D 950 x H 700 mm
- Gross Weight: 120Kg
- Volume: 230L



WaterMark  
LIC: WMKA00381  
SAI GLOBAL



Australian Standard

# ACS

DESIGNER BATHROOMS

1300 898 889

[www.acsbathrooms.com.au](http://www.acsbathrooms.com.au)