

moda

Code: COCO45

Material: Isostone - 70% Limestone Composite

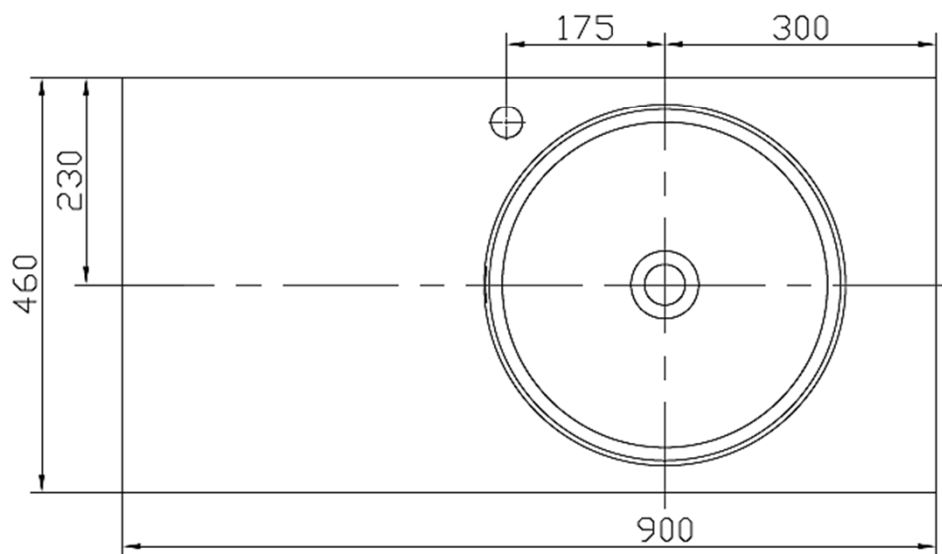
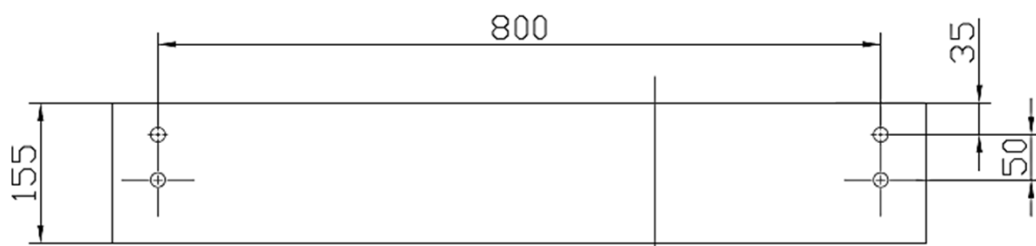
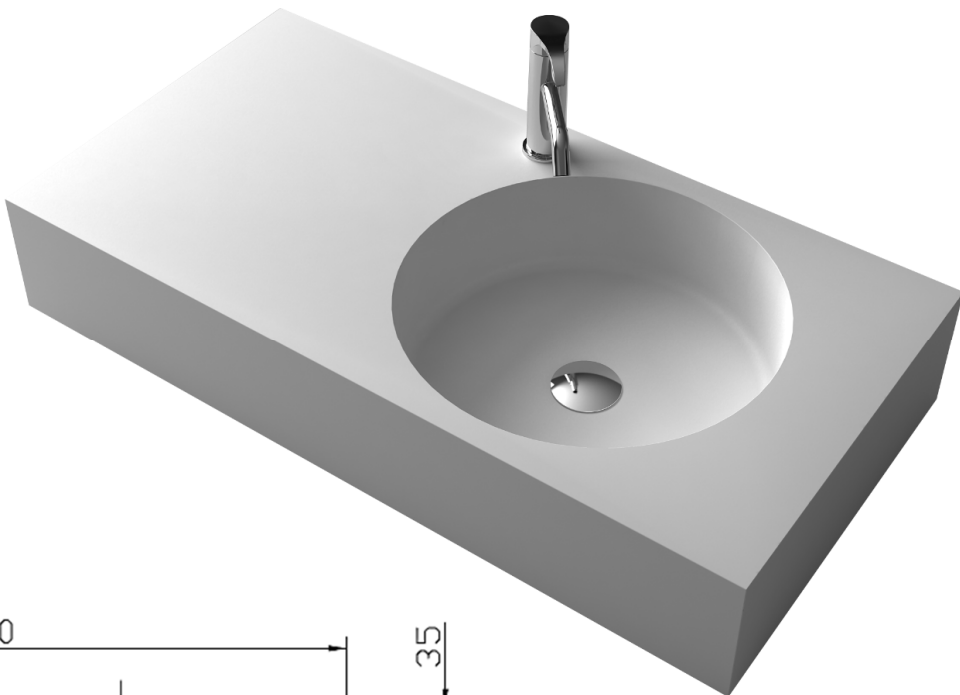
Size: W 900 x D 460 x H 155 mm

Warranty: 10 Years

Features:

- Bench/Wall Mount Basin
- Smooth matt white finish (gloss by custom order)
- Italian Design & Engineering
- Solid Material
- Suits 32mm waste
- Scratch and Stain resistance
- Repairable Material
- Australian Standard (SAI)
AS/NZS 3718:2003

ESPERANZA



Specifications:

- Crate size:
W 920 x D 480 x H 175 mm
- Gross Weight: 25Kg



WaterMark
LIC: WMKA00381
SAI GLOBAL



ACS

DESIGNER BATHROOMS

1300 898 889

www.acsbathrooms.com.au