

moda

Code: COCO51

Material: Isostone - 70% Limestone Composite

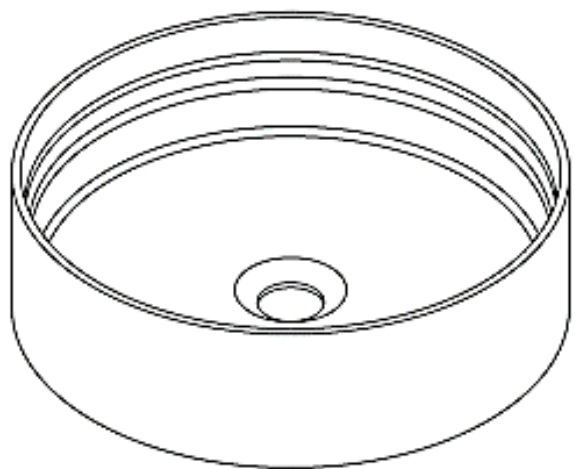
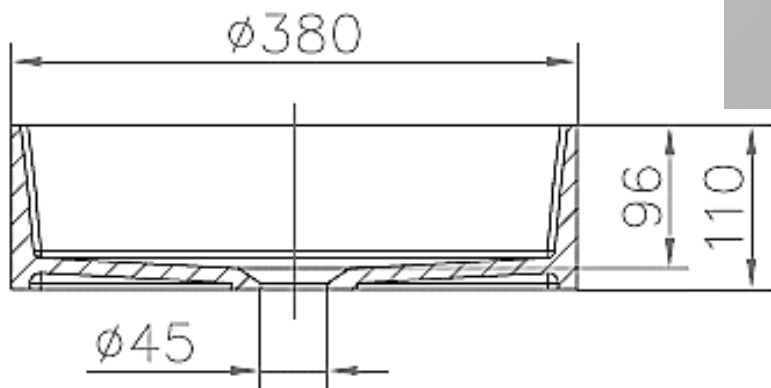
Size: W 380 x D 380 x H 110 mm

Warranty: 10 Years

Features:

- Bench Mount Basin
- Smooth matt white finish (gloss by custom order)
- Italian Design & Engineering
- Solid Material
- Suits 32mm waste
- Scratch and Stain resistance
- Repairable Material
- Australian Standard (SAI)
AS/NZS 3718:2003

DANIELA



Specifications:

- Crate size:
W 400 x D 400 x H 130 mm
- Gross Weight: 8Kg



WaterMark
LIC: WMKA00381
SAI GLOBAL



Australian
Standard

ACS

DESIGNER BATHROOMS

1300 898 889

www.acsbathrooms.com.au