

# moda

## Code: COCO53

**Material:** Isostone - 70% Limestone Composite

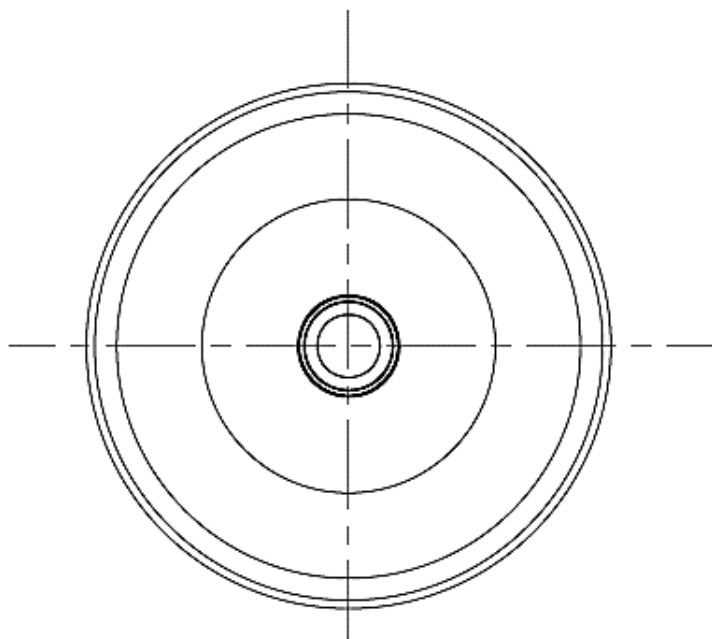
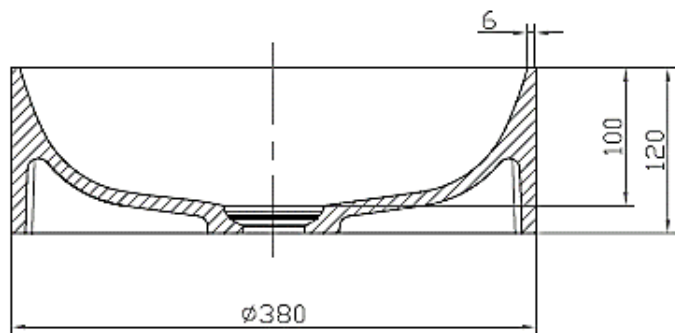
**Size:** W 380 x D 380 x H 120 mm

**Warranty:** 10 Years

### Features:

- Bench Mount Basin
- Smooth matt white finish (gloss by custom order)
- Italian Design & Engineering
- Solid Material
- Suits 32mm waste
- Scratch and Stain resistance
- Repairable Material
- Australian Standard (SAI)  
AS/NZS 3718:2003

## AMALIA



### Specifications:

- Crate size:  
W 400 x D 400 x H 140 mm
- Gross Weight: 8Kg



WaterMark  
LIC. WMKA00381  
SAI GLOBAL



Australian  
Standard

# ACS

DESIGNER BATHROOMS

1300 898 889

[www.acsbathrooms.com.au](http://www.acsbathrooms.com.au)