

moda

Code: COCO55

Material: Isostone - 70% Limestone Composite

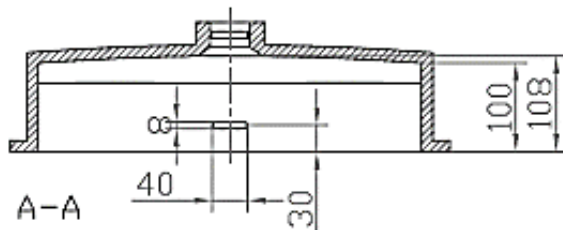
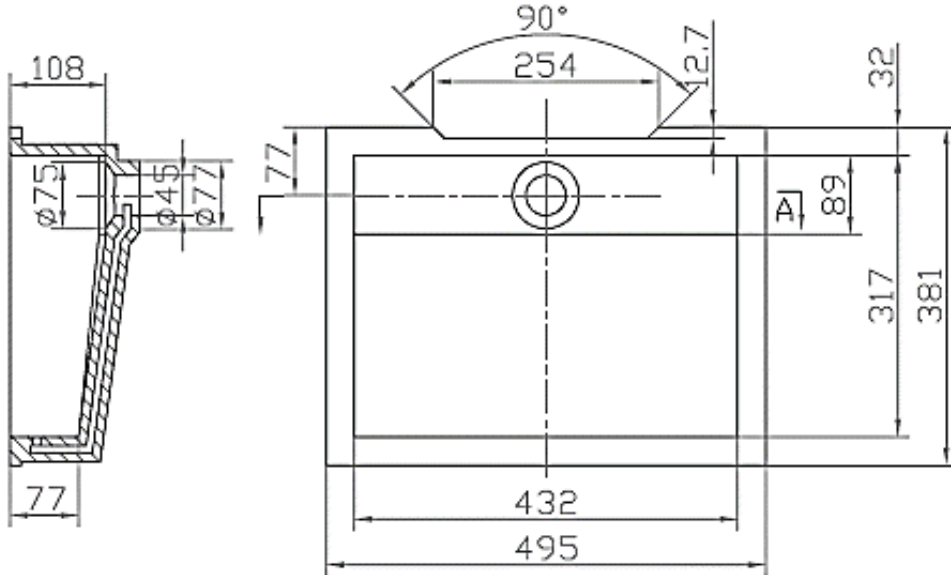
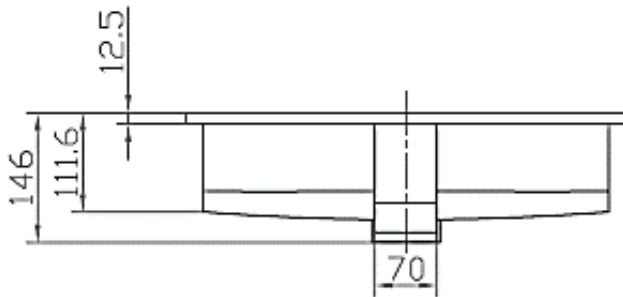
Size: W 495 x D 381 x H 146 mm

Warranty: 10 Years

Features:

- Under-Mount Basin
- Smooth matt white finish (gloss by custom order)
- Italian Design & Engineering
- Solid Material
- Suits 32mm waste
- Scratch and Stain resistance
- Repairable Material
- Australian Standard (SAI)
AS/NZS 3718:2003

ANTONIA



Specifications:

- Crate size:
W 520 x D 400 x H 170 mm
- Gross Weight: 9Kg



WaterMark
LIC. WMKA00381
SAI GLOBAL



Australian
Standard

ACS

DESIGNER BATHROOMS

1300 898 889

www.acsbathrooms.com.au