

The last bastion of privacy, a space of peace and tranquillity, your Bathroom
 Enjoy the look and feel of our European Bathroom fittings and fixtures.
 Designed and made to the highest International and Australian standards.



Diseno Bottle Trap

SYDNEY

Woollahra

163 Edgecliff Road

Woollahra NSW 2025

T 02 9386 9809

Chatswood

Unit 36/28 Barcoo Street

Chatswood NSW 2067

T 02 9882 2044

MELBOURNE

Richmond

229 Swan Street

Richmond VIC 3121

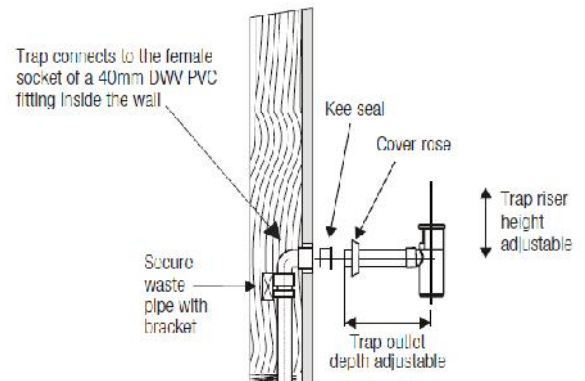
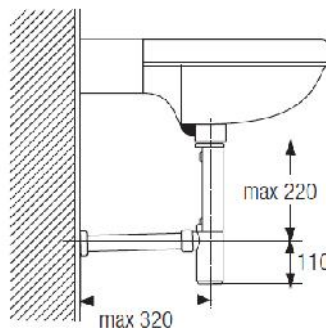
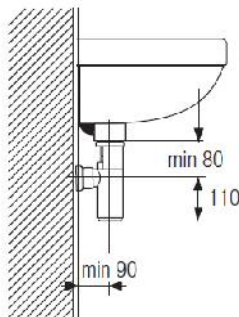
T 03 9428 9996

Description

The Geberit Diseno trap matches stylish wash basins beautifully. It is the solution to enhance bathroom looks even under the basin. The trap is supplied with maximum length as indicated and can be shortened to minimal adjustments with a standard hacksaw. No further tools are required to install it.

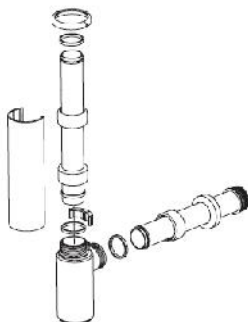
Features include:

- Chrome plated finish
- Connection set to 40mm DWV socket
- Adapter for 32mm basin plugs
- Variable length adjustment
- Easy installation
- Watermark approved Lic No. C of C 20056



Easy Wall Connection

A comprehensive connection set ensures elegant, easy and safe connection to the socket of a 40mm PVC DWV in-wall fitting. No silicone seals required!



Description

Diseno Trap 1½" x 40mm, chrome
 incl. adaptor, kee seal 40 x 43mm

Art. No.

170.130.21.1