

Multifiller Installation Instructions



● KLUDI ●

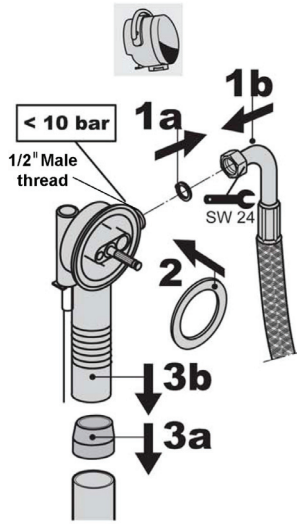


in accordance to AS/NZS 3718:
Watermark approval WMKA00313

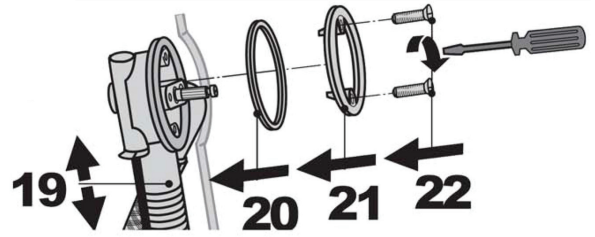
bathetm

The world's finest brands at bathe

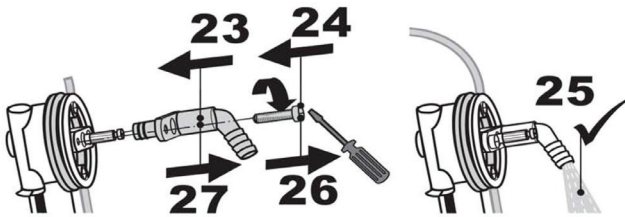
25 John Street, Leichhardt, NSW, 2040
t. 02 9509 0000 f. 02 9518 0216
www.bathe.net.au



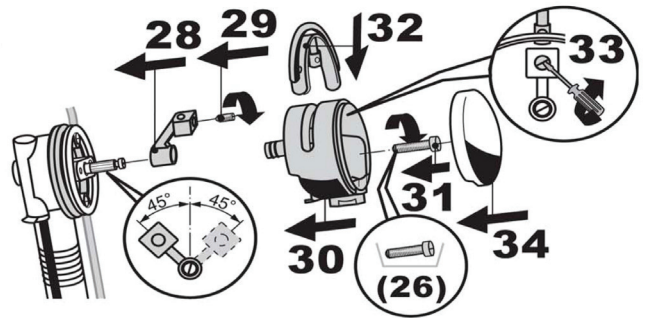
1. NOTE: Back Flow/Non Return Valve must be installed with a Multifiller



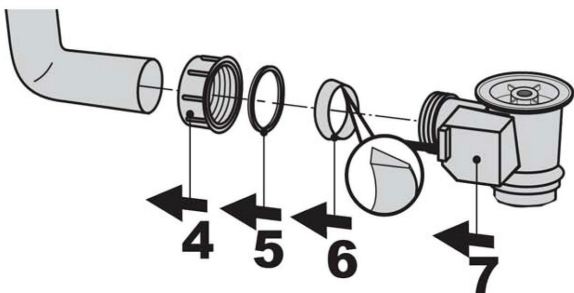
2.



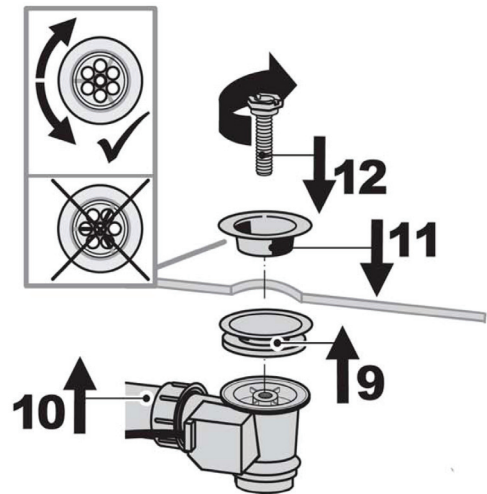
3.



4.



5.



6.