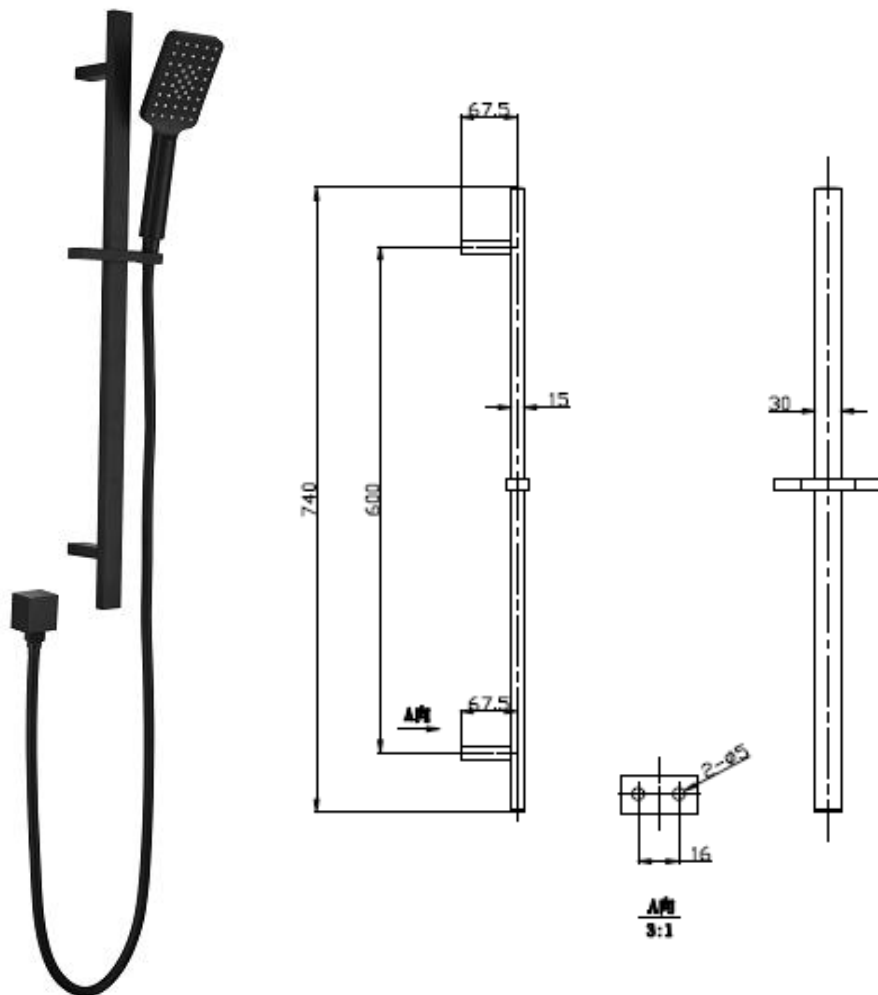


The last bastion of privacy, a space of peace and tranquillity, your Bathroom
 Enjoy the look and feel of our European Bathroom fittings and fixtures.
 Designed and made to the highest International and Australian standards.

ACS
 DESIGNER BATHROOMS

motivo

MS 003AMB



Square Hand Held Rail Shower

CODE: MS 003AMB

- Superior Quality
- Brass Construction with Matt Black Finish
- 3 Function Shower Head
- 1.5m PVC hose
- Brass elbow
- 30mm x 15mm x 800mm Solid Shower Tube
- WELS 4 Star Rating
- 7 litres per minute
- WELS Licence Number: 0175
- WELS Registration No: S11567
- Australian Standards (SAI)
- AS/NZS 3718:2003

As part of ACS commitment to quality products, information provided in this data sheet is representative of the actual product available at the time of printing. Due to our commitment to continuous product design and development, the designs and specifications depicted are subject to change without notice. Please confirm all particulars with your ACS sales consultant prior to purchase. Each product is covered by a limited warranty. Please see our website for full terms and conditions. This drawing remains the property of ACS and should not be copied or distributed without ACS consent. © 2010 All Dimensions are approximate in mm and are not to scale.

SYDNEY

Woollahra

163 Edgecliff Road

Woollahra NSW 2025

T 02 9386 9809

Crows Nest

113A Willoughby Road

Crows Nest NSW 2065

T 02 9460 6111

MELBOURNE

Richmond

229 Swan Street

Richmond VIC 3121

T 03 9428 9996

QUEENSLAND

Fortitude Valley

Shop 2, 826 Ann Street

Fortitude Valley QLD 4006

T 07 3852 6363



WaterMark
 LIC. WMKAD0381
 SAI GLOBAL



Australian
 Standard