

TOTO

NEOREST Installation Instructions <Bowl>

The installation of the toilet bowl for the NEOREST differs from installation of conventional toilet bowls.
Be sure to read the following installation instructions and install the product only as described in this manual.

1 Always Follow This Precaution

Before installing the NEOREST, be sure to read the safety instructions in "Always Follow This Precaution" and install the product only as described in the instructions.

- Precautionary symbols are used in these instructions to ensure safe and proper installation of the product and to prevent injury to the end-user and damage to personal property. The definitions of these precautionary symbols are as follows.
- There are two types of precautionary symbols. The symbols and definitions appear below.

Symbol	Definition
	When this symbol appears, precaution should be taken to ensure proper and safe use of the product. Ignoring this precaution could result in injury or damage to personal property.
	The symbol indicates a prohibited use of the product.
	This symbol means "Always follow this precaution".

⚠ WARNING

	Avoid direct impact to the ceramic components as this will break the ceramic and could result in injury or property damage due to water leakage.
	Always use the provided or designated parts for the installation process.

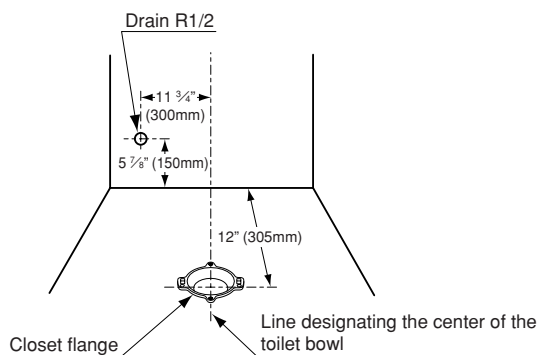
2 Parts Included in the Installation Kit

* Before installation, confirm that the parts listed below are included in the kit.

Part Name		Quantity	Drawing	
Toilet		1 unit		
Outlet connection		1		
Installation Hardware	Mounting Pieces	2		
		4		
		4		
	Bag of screws ①	4		
	Bag of screws ②	Bolts	2	
		Washers	2	
	Bag of screws ③	Gasket	2	
		Pan head screws	2	
	Screw caps		2	
	Paper installation template		1	
Installation instructions		1		
Water shutoff valve		1		

3 Before Installing the NEOREST

- Confirm that there is enough floor space to install the toilet unit and that the bathroom door will open/close without obstruction.
- Confirm that the position of the drain hole and pipes are properly lined up as designated in the drawing.



- **Water Pressure.**
The NEOREST is designed to operate under a minimum working pressure of 10 psi flowing (as detected by a sensor within the unit). It should be noted that the standard range of working pressures allowed by model codes is 20 to 80 psi static.* It is necessary to install the water supply valve (angle stop) provided with the NEOREST. This will assure the proper flow rate is achieved and allow for optimum performance of the unit. *See warranty for details.

Optional:

How to check the water pressure:

If a pressure gauge is unavailable, the fill method may be used as follows.

(Measuring Procedure)



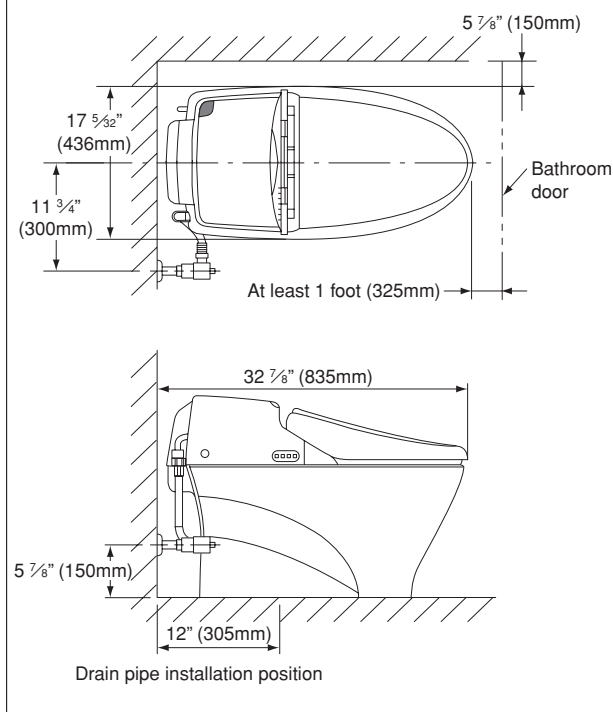
Allow the water to flow into the bucket for 10 seconds and measure the water volume.

Prepare two buckets to hold the water.

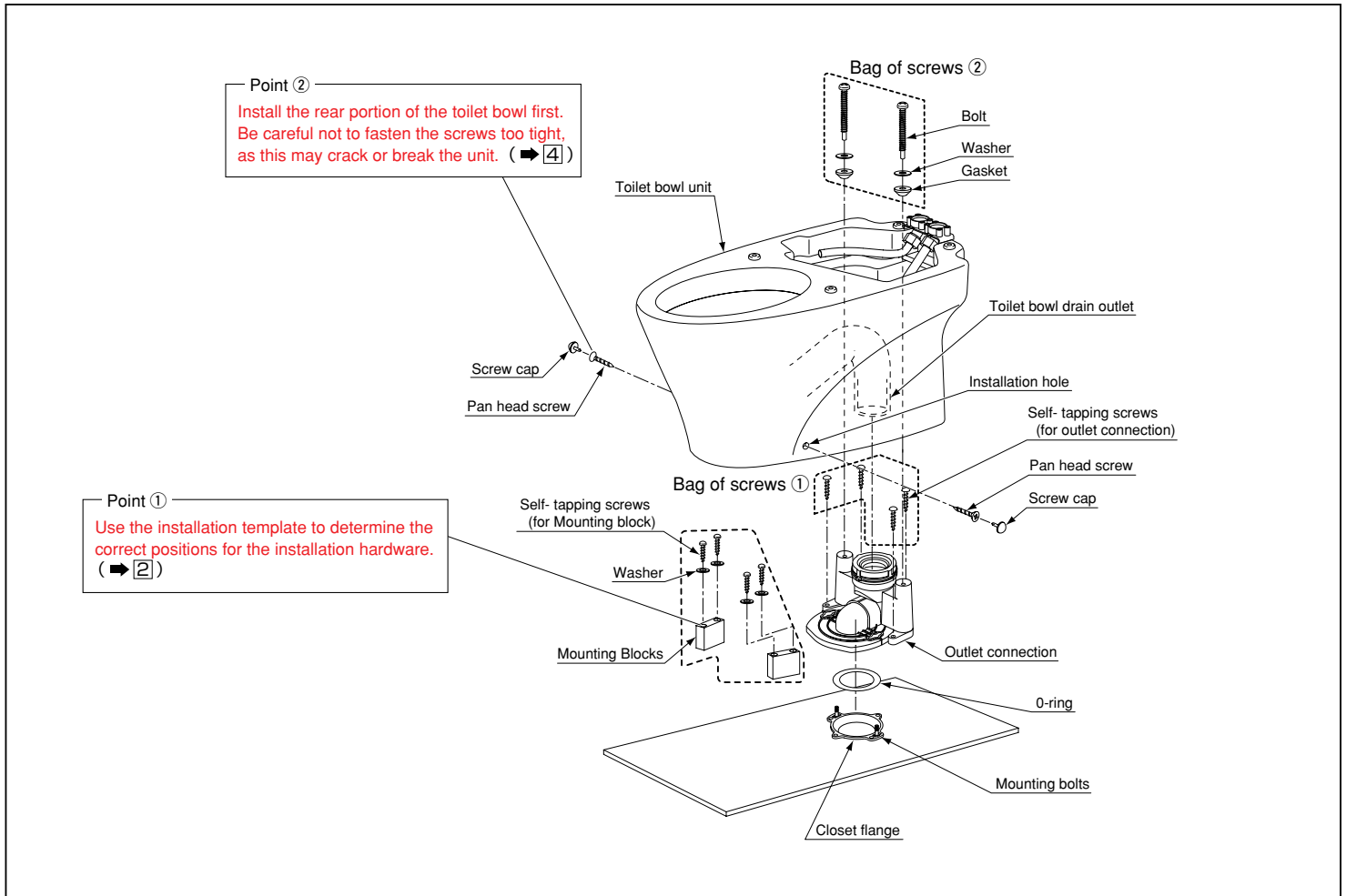
The following water volume will ensure sufficient water pressure.

Water volume (for 10 sec)
1.5 Gallons (5.5 L) or more
NEOREST water supply valve fully open condition

Installation position



4 Parts and Installation Instructions



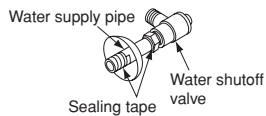
5 Installation Procedures

1 Installing the water shutoff valve

① Before installing the water shutoff valve, be sure to remove any dirt or sand that may have become lodged inside the valve.



② Wrap the sealing tape around the fitting on the water supply pipe of the water shutoff valve.



③ Install the water supply connection on the water shutoff valve so that it is parallel with the floor.

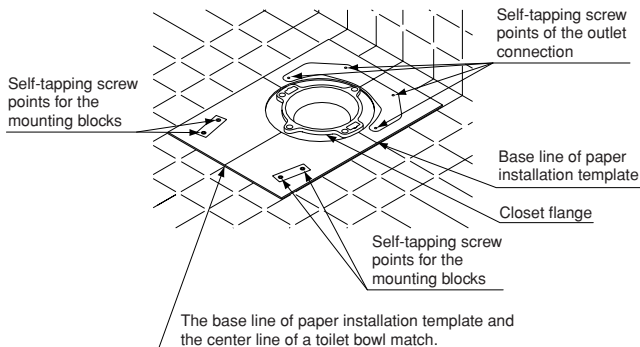


2 Marking off the self-tapping screw holes.

① Draft the center line of a toilet bowl.

② Place paper installation template so that the base line of paper installation template and the center line of a toilet bowl match.

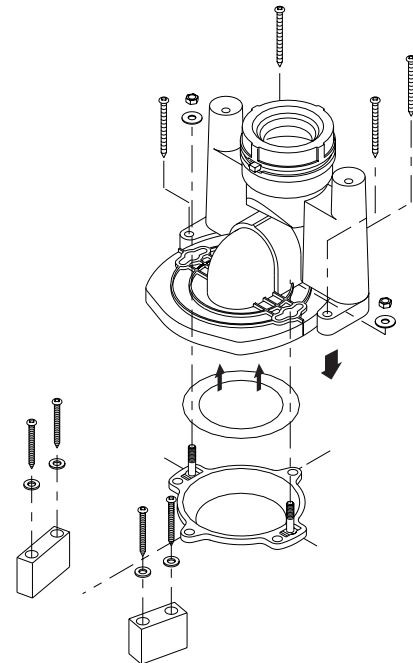
③ Mark off the self-tapping screw holes of the outlet connection and the mounting blocks.



3 Fixing the outlet connection and the mounting blocks

① Fix the outlet connection with self-tapping screw so that the center of outlet connection and the center line of a toilet bowl match.

② Fix the mounting blocks with self-tapping screws.



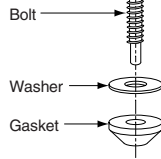
* Before inserting the self-tapping screws into the floor, drill a \varnothing 1/8 inch (3mm) hole in the floor for easier installation.

4 Installing the toilet bowl

① Remove any dirt or dust that may have gotten trapped inside the toilet bowl drain outlet and insert it into the outlet connection.

② Insert (2 places) the bolts, washers and gasket into the holes on the rear portion of the toilet bowl unit and attach the toilet bowl to the outlet connection.

- * Be sure to insert the washer and gasket in the proper order and direction.
- * Fasten the bolts securely.

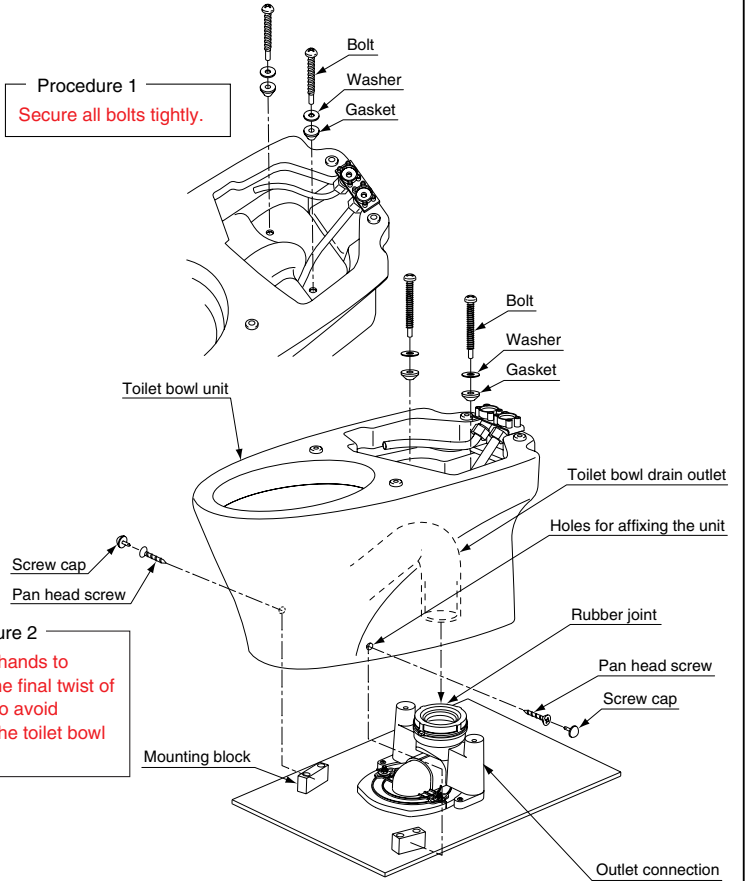


③ Insert the Pan head screws into the holes on the front portion of the toilet bowl and attach the toilet bowl unit to the mounting blocks. Cover the screw heads with the screw caps.

- * Use your hands to perform the final twist of the bolts to avoid cracking the toilet bowl unit.

Procedure 1
Secure all bolts tightly.

Procedure 2
Use your hands to perform the final twist of the bolts to avoid cracking the toilet bowl unit.



⚠ WARNING



Be sure to affix the rear portion of the toilet bowl unit first. If the side portions are affixed before the rear portion, the toilet bowl unit may slide to the right and left causing water to leak from the rubber joint.



5 Installing the Washlet components

Refer to the installation instructions included in the packaging for the Washlet component.

For Better Results

The manufacturer recommends that silicone caulking be applied around the bottom of the toilet bowl base to prevent water and urine from seeping under the flooring material, resulting in a stained floor.

