

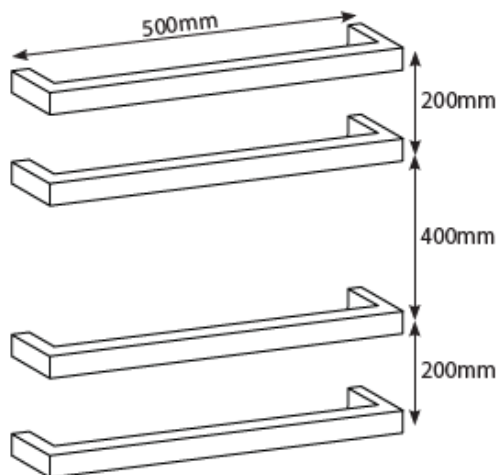
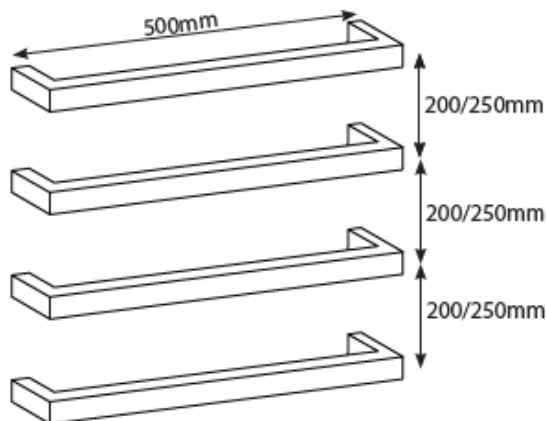
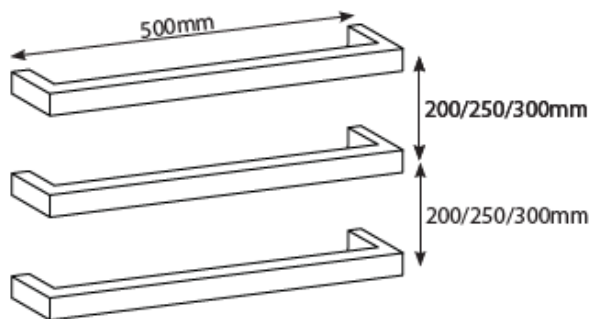
architetto

Designer Hardware

Single Square Bar 500mm Specifications

S9S-01 9S Series Polished 500mm Squ
Single Bar Towel Rail
S9S-01B 9S Series Brushed 500mm Squ
Single Bar Towel Rail
S9S-01MB 9S Series Black 500mm Squ
Single Bar Towel Rail

- 304 Grade Stainless Steel
- Hard Wired - cable side universal, can be left or right wired
- 32mm diameter rails
- 80mm protrusion from wall
- IP Rating - IPX7
- Approval - SAA
- 7 year warranty
- Fixing bar and transformer sold separately
- **All single bars sold individually.** We recommend bars are used in groups of 3, 4 or 5 to efficiently dry towels



The supplied fixing bracket allows for the above configurations. If more than 5 bars are used an additional fixing bracket will be required.

All measurements in mm

ACS

1300 898 889

www.acsbathrooms.com.au