

The last bastion of privacy, a space of peace and tranquillity, your Bathroom  
Enjoy the look and feel of our European Bathroom fittings and fixtures.  
Designed and made to the highest International and Australian standards.

**ACS**  
DESIGNER BATHROOMS

moda

ELLIPSIS FREESTANDING BATH



Our Beautiful  
Freestanding Bath  
Series are  
constructed of  
fibreglass  
reinforced acrylic  
are non slip  
and smooth to the  
touch.

SYDNEY

Woollahra

163 Edgecliff Road

Woollahra NSW 2025

T 02 9386 9809

Chatswood

Unit 36/28 Barcoo Street

Chatswood NSW 2067

T 02 9882 2044

MELBOURNE

Richmond

229 Swan Street

Richmond VIC 3121

T 03 9428 9996

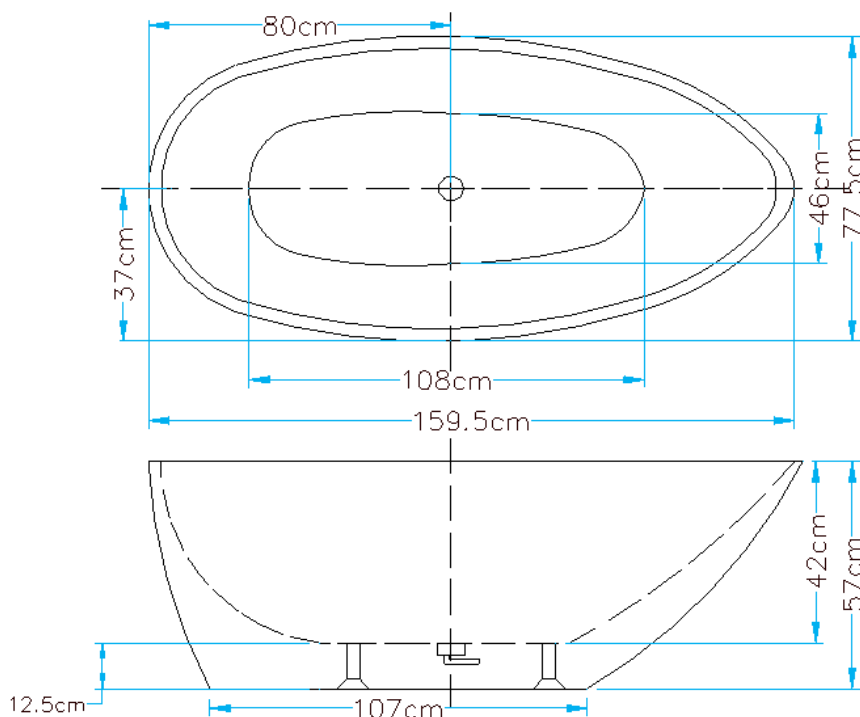
QUEENSLAND

Fortitude Valley

Shop 2, 826 Ann St,

Fortitude Valley, QLD 4006

T 07 3852 6363



- Code: ST03C
- 25mm Profile 8mm Thick Acrylic reinforced with fibreglass
- 10yr Warranty
- Smooth gloss white finish
- Non Slip
- Polished chrome popup waste kit installed
- Adjustable galvanised metal legs for levelling
- 1mtr 40mm Flexible waste hose for easy installation
- Galvanised supporting under carriage
- Net Weight 65Kgs
- Crated size L+100, W+100, H+250mm
- Gross Weight 85kgs
- Australian Standard (SAI)
- AS/NZS 3718:2003



[www.acsbathrooms.com.au](http://www.acsbathrooms.com.au)