

The last bastion of privacy, a space of peace and tranquillity, your Bathroom  
Enjoy the look and feel of our European Bathroom fittings and fixtures.  
Designed and made to the highest International and Australian standards.

**ACS**  
DESIGNER BATHROOMS

# moda

## MIA FREESTANDING BATH



Our Beautiful Freestanding Bath Series are constructed of fibreglass reinforced acrylic and are Non-slip and Smooth to the touch

SYDNEY

Woollahra

163 Edgecliff Road

Woollahra NSW 2025

T 02 9386 9809

Chatswood

Unit 36/28 Barcoo Street

Chatswood NSW 2067

T 02 9882 2044

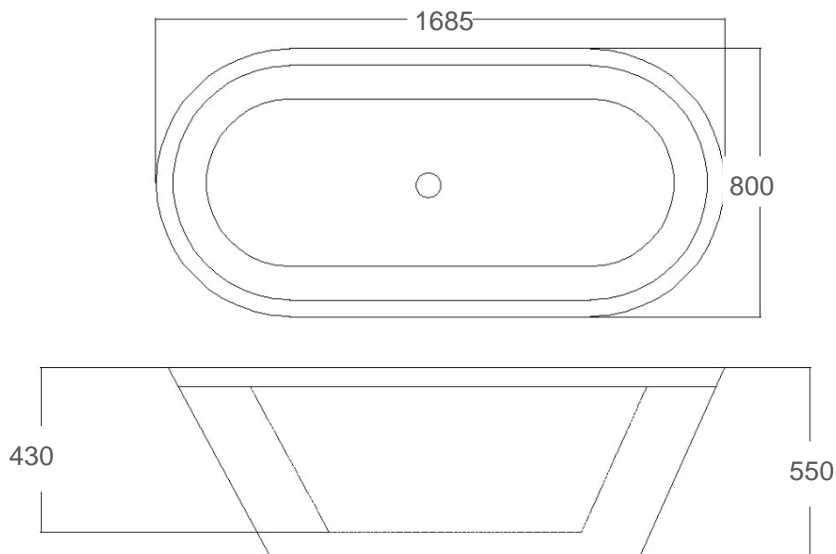
MELBOURNE

Richmond

229 Swan Street

Richmond VIC 3121

T 03 9428 9996



- Code: ST04BM
- 25mm Profile 8mm Thick Acrylic reinforced with Fibreglass
- 10 yr Warranty
- Matt white finish
- Non Slip
- Polished chrome pop –up waste kit installed
- Adjustable galvanised metal legs for levelling
- 1mtr 40mm Flexible waste hose for easy installation
- Galvanised supporting under carriage
- Net Weight 60kgs
- Crated Size L+100, W+100, H+250 mm
- Gross Weight 85kgs
- Australian Standard (SAI)
- AS/NZS 3718:2003

