

moda

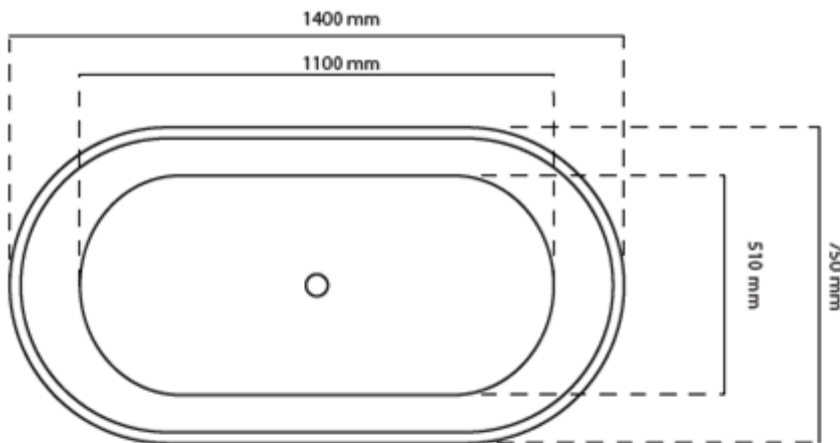
Code: ST04E

Material: 8mm Reinforced Acrylic
Size: W 1400 x D 700 x H 550 mm
Warranty: 10 Years

Features:

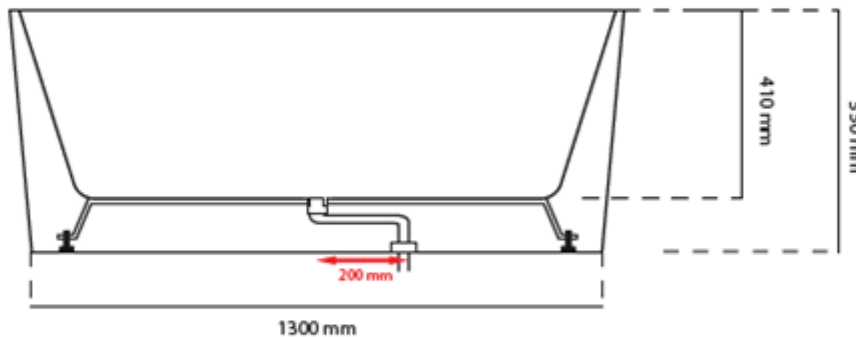
- Seamless Technology
- Italian Design & Engineering
- Finish
 - Gloss white
 - Matt White
- 40mm Flexible Hose for Easy Installation
- Galvanised Metal Base Support
- Adjustable Leg Height For Levelling
- Nonslip
- Australian Standard (SAI)
AS/NZS 3718:2003

Mia



Specifications:

- Net Weight: 60 Kg
- Crate size:
L 1500, W 800, H 800mm
- Gross Weight: 85Kg



ACS
DESIGNER BATHROOMS

1300 898 889

www.acsbathrooms.com.au

As part of ACS commitment to quality products, information provided in this data sheet is representative of the actual product available at the time of printing. Due to our commitment to continuous product design and development, the designs and specifications depicted are subject to change without notice. Please confirm all particulars with your ACS sales consultant prior to purchase. Each product is covered by a limited warranty. Please see our website for full terms and conditions. This drawing remains the property of ACS and should not be copied or distributed without ACS consent. © 2010 All Descriptions are approximate in mm and are not to scale.