

# moda

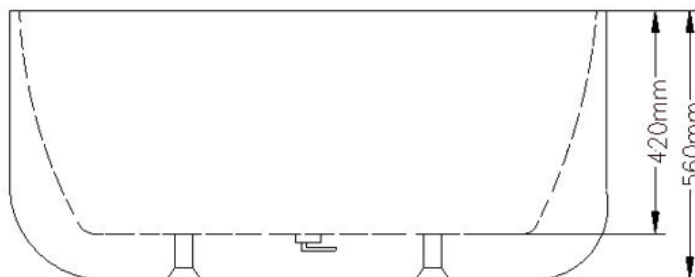
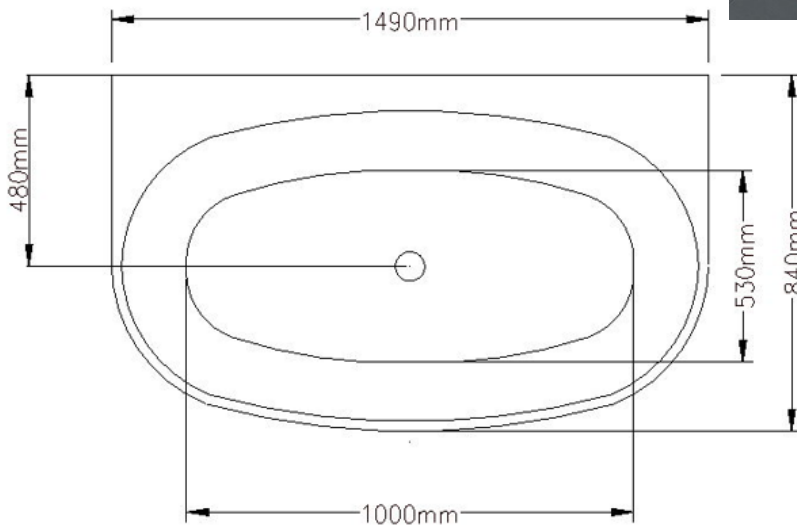
## Code: ST10A

**Material:** 8mm Thick Acrylic  
**Size:** W 1490 x D 840 x H 560 mm  
**Warranty:** 10 Years

### Features:

- Freestanding Bath with Metal Legs
- Available in Gloss White or Matt White Finish
- Italian Design & Engineering
- Superior Heat Retention
- Scratch and Stain resistance
- Repairable Material
- Adjustable galvanised metal legs for easy levelling
- 1m Long 40mm Flexible waste hose for easy installation
- Australian Standard (SAI) AS/NZS 3718:2003

### PABLO



### Specifications:

- Net Weight: 65Kg
- Crate size: L 1600, W 940, H 800mm
- Gross Weight: 75Kg



**ACS**  
DESIGNER BATHROOMS

1300 898 889

[www.acsbathrooms.com.au](http://www.acsbathrooms.com.au)

As part of ACS commitment to quality products. Information provided in this data sheet is representative of the actual product available at the time of printing. Due to our commitment to continuous product design and development, the designs and specifications depicted are subject to change without notice. Please confirm all particulars with your ACS sales consultant prior to purchase. Each product is covered by a limited warranty. Please see our website for full terms and conditions. This drawing remains the property of ACS and should not be copied or distributed without ACS consent. © 2010 All Dimensions are approximate in mm and are not to scale.