

The last bastion of privacy, a space of peace and tranquillity, your Bathroom
 Enjoy the look and feel of our European Bathroom fittings and fixtures.
 Designed and made to the highest International and Australian standards.



moda

Acrylic BATH



SYDNEY

Woollahra
 163 Edgecliff Road
 Woollahra NSW 2025
 T 02 9386 9809

Crows Nest

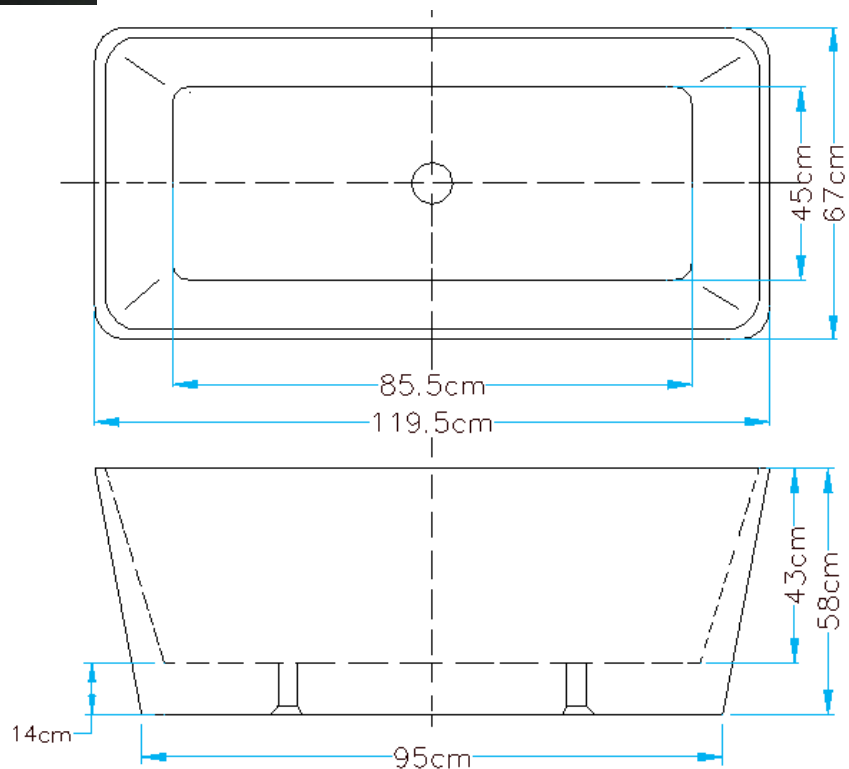
113A Willoughby Road
 Crows Nest NSW 2065
 T 02 9460 6111

MELBOURNE

Richmond
 229 Swan Street
 Richmond VIC 3121
 T 03 9428 9996

QUEENSLAND

Fortitude Valley
 Shop 2, 826 Ann Street
 Fortitude Valley QLD 4006
 T 07 3852 6363



- Code: ST15E
- 8mm Thick Acrylic reinforced with fibreglass
- 10yr Warranty
- Smooth gloss white finish
- Non Slip
- Polished chrome popup waste kit installed
- Adjustable galvanised metal legs for levelling
- 1mtr 40mm Flexible waste hose for easy installation
- Galvanised supporting under carriage
- Net Weight 50Kgs
- Crated size L+100, W+100, H+250mm
- Gross Weight 70kgs



WaterMark
 LIC: WMKA00381
 SAI GLOBAL

Our Beautiful
 Acrylic Bath
 Series are
 constructed of
 8mm thick acrylic
 smooth and silky
 to the touch.



As part of ACS commitment to quality products. Information provided in this data sheet is representative of the actual product available at the time of printing. Due to our commitment to continuous product design and development, the designs and specifications depicted are subject to change without notice. Please confirm all particulars with your ACS sales consultant prior to purchase. Each product is covered by a limited warranty. Please see our website for full terms and conditions. This drawing remains the property of ACS and should not be copied or distributed without ACS consent. © 2010 All Dimensions are approximate in mm and are not to scale.