



TOTO GREEN CHALLENGE



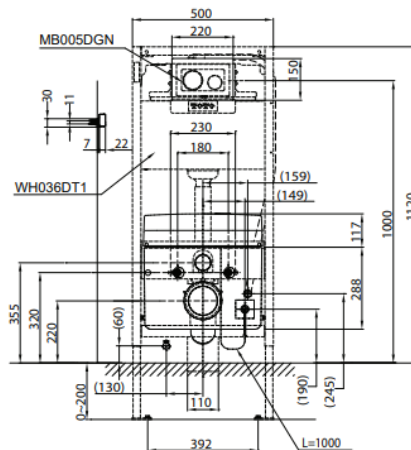
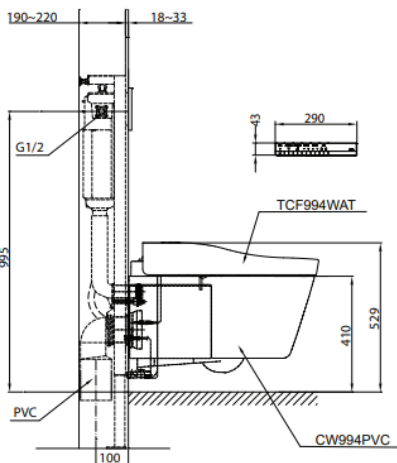
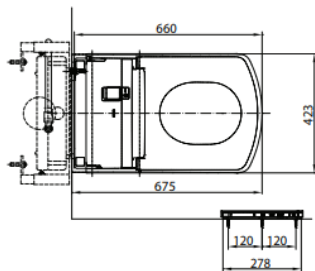
Features

- Integrated appearance of luxury, stylish, elegant
- Tornado Flushing for powerful flushing effect with less amount of water
- Integral Washlet features front and rear warm water washing
- *eWater+* spreads out and keeps clean toilet bowl and nozzle by preventing bacteria with sanitizing effect
- Automatic operation : Lid opens, closes and toilet flushes when sensor is activated
- Auto soft light function usable for night time usage.

eWater+ is made from tap water by electrolyzed chloride ion without any chemicals. After use, it returns to normal water in the state of safe and environmental friendly.

Specifications

- Flush System : Tornado
- Water Use : 4.5/3L
- Rough-in : H = 220mm
- Power Rating : AC 220 ~ 240V : 50/60Hz
- Length of Power Cord : 1.0m
- Size : 424W x 679D x 460H mm



Parts Description

- Water Closet Bowl
- Washlet Unit
- Concealed Cistern w/Frame
- Flush Panel

Colors

- White