



## Features

- Modern styling exclusively for LE MUSE design suite
- Dual flush system
- WATER SAVING

## Specifications

Flush system:	Wash Down
Water Use:	4.5L / 3L
Rough-in:	H=220 mm (P-Trap)
Bowl Shape:	Elongated
Water Pressure:	0.05MPa-0.75MPa
Size:	380W x 595D x 346H mm

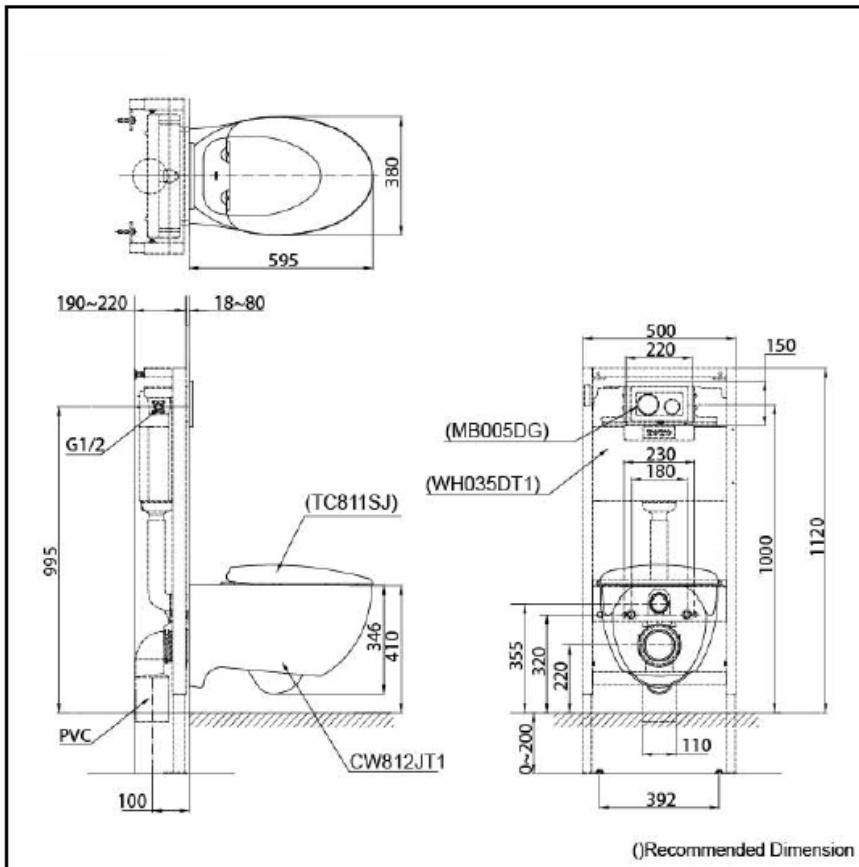
## Parts description

Fittings and Seat & Cover are not included

- Elongated Wall Hung Toilet (P-Trap) (Rough-in 220)

## Colors

White



GREEN GOOD DESIGN AWARD 2016

