

TOTO

Product Code: TOTO-09

Washlet (Elongate) 389W x 529D x 129H mm with Remote control



Features

- *e*water* spreads out and keeps clean toilet bowl and nozzle by preventing bacterial with sanitizing effect
- Auto lid opening and closing
- Maximized comfort function with new wide front and pulsating cleansing
- Fully equipped with comfortable rear, front and oscillating cleansing functions
- Build-in with Motion Sensor - Microwave technology.
- Infrared Sensor for remote control capabilities
- Adjustable warm air dryer
- Heated Seat with temperature control
- Auto powerful deodorizer activates after every usage

*e*water* is made from tap water by electrolyzed chloride ion without any chemicals. After use, it returns to normal water in the state of safe and environmental friendly

Specifications

- Bowl Shape : Elongated
Water Pressure : 0.05Mpa~0.75Mpa
Power Rating : 220~240V, 50/60Hz, 830~839W
Length of Power Cord : 1.2 m
Material : Plastic
Size : 383W x 532D x 125H mm

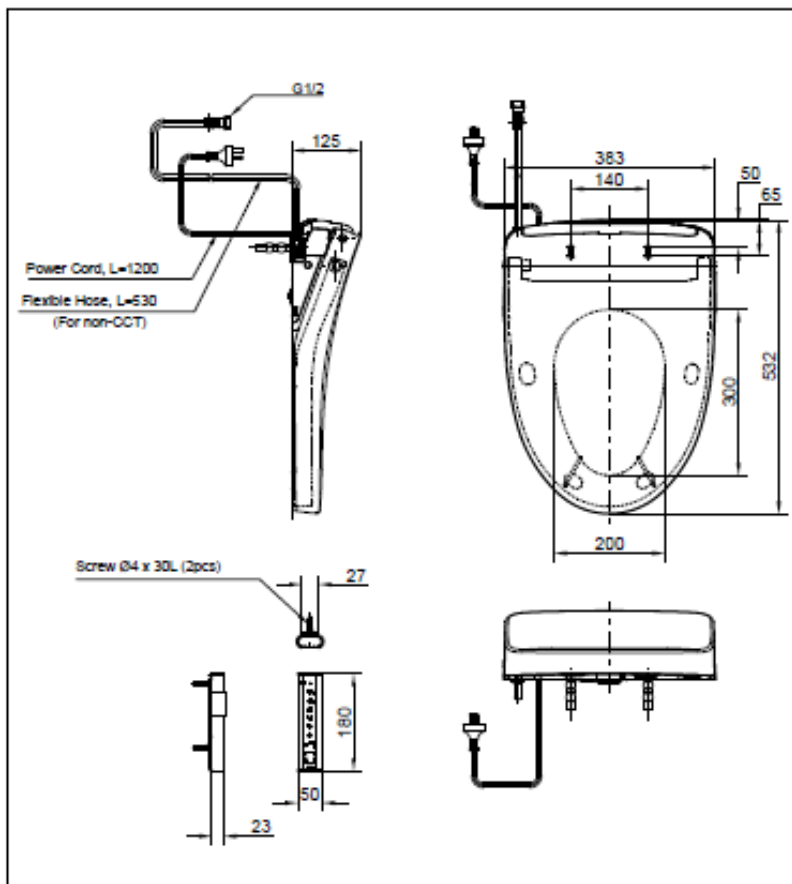
Parts description

- WASHLET Elongated

Colors

White #NW1

Please consult a TOTO representative for details



Caution: WASHLET may not fit certain toilet bowl design. Please check the compatibility of WASHLET and your toilet bowl prior purchase.

ACS

1300 898 889

www.acsbathrooms.com.au

As part of ACS commitment to quality products. Information provided in this data sheet is representative of the actual product available at the time of printing. Due to our commitment to continuous product design and development, the designs and specifications depicted are subject to change without notice. Please confirm all particulars with your ACS sales consultant prior to purchase. Each product is covered by a limited warranty. Please see our website for full terms and conditions. This drawing remains the property of ACS and should not be copied or distributed without ACS consent. © 2010 All Dimensions are approximate in mm and are not to scale.