

TOTO

Product Code: TOTO-13d
TOTO Basic+ Back to Wall Toilet Suite & TOTO S5 Washlet (D-Shape)
with Remote control No Soft Close Seat (P Trap)



Features

- Stylish design for Basic+ Suite
- Dual Flush System
- TORNADO FLUSH for powerful flushing effect with less amount of water
- WATER SAVING
- CEFIONTECT prevent debris on toilet surface
- RIMLESS DESIGN bowl ensures easy cleaning and ultimate hygiene

Specifications

Flush system:	TORNADO FLUSH
Water Use:	4.5L / 3L
Rough-in:	S-Trap / P-Trap (Selectable)
Bowl Shape:	D-Shape
Water Pressure:	0.05MPa~0.75MPa
Size:	416W x 704D x 844H mm

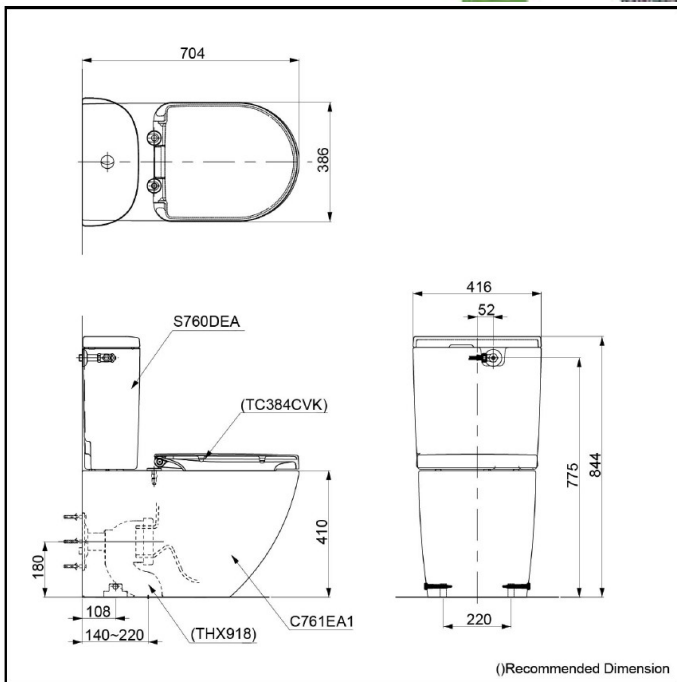
Parts description

Fittings & Tank are included
Seat & Cover not included

- C761EA1
D-Shape Close Coupled Bowl
- S760DEA
Tank & Lid

Colors

White



ACS

1300 898 889

www.acsbathrooms.com.au

As part of ACS commitment to quality products, information provided in this data sheet is representative of the actual product available at the time of printing. Due to our commitment to continuous product design and development, the designs and specifications depicted are subject to change without notice. Please confirm all particulars with your ACS sales consultant prior to purchase. Each product is covered by a limited warranty. Please see our website for full terms and conditions. This drawing remains the property of ACS and should not be copied or distributed without ACS consent. © 2010 All Dimensions are approximate in mm and are not to scale.

TOTO

Product Code: TOTO-13d TOTO Basic+ Back to Wall Toilet Suite & TOTO S5 Washlet (D-Shape) with Remote control No Soft Close Seat (P Trap)



Features

- EWATER+ spreads out and keeps the nozzle clean by preventing bacteria with sanitizing effect
- PREMIST water is sprayed inside the toilet bowl to make it difficult for dirt to adhere
- Maximized comfort function with pulsating cleansing
- Fully equipped with comfortable rear, front and oscillating cleansing functions
- HEATED SEAT with temperature control
- Auto powerful DEODORIZER activates after every usage

EWATER+ is made from tap water by electrolyzed chloride ion without any chemicals. After use, it returns to normal water in the state of safe and environmental friendly

Specifications

Bowl Shape:	D-Shape
Water Pressure:	0.07Mpa~0.75Mpa
Power Rating:	220~240V , 50/60Hz, 843~853W
Length of Power Cord:	1.2 m
Material:	Plastic
Size:	383W x 540D x 130H mm

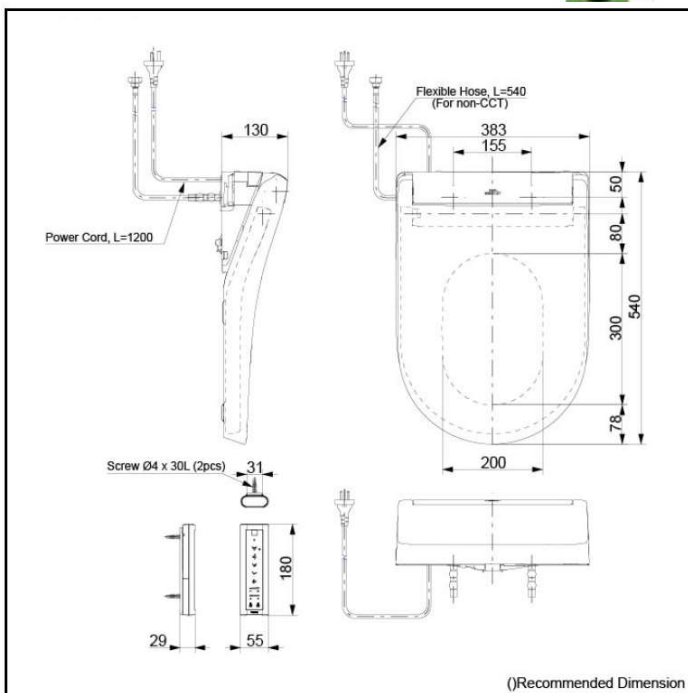
Parts description

- WASHLET
D-Shape

Colors

White #NW1

Certifications



ACS

1300 898 889

www.acsbathrooms.com.au