

TOTO

Product Code: TOTO-36 TOTO NEOREST Paper Holder (Stand Type)



Features

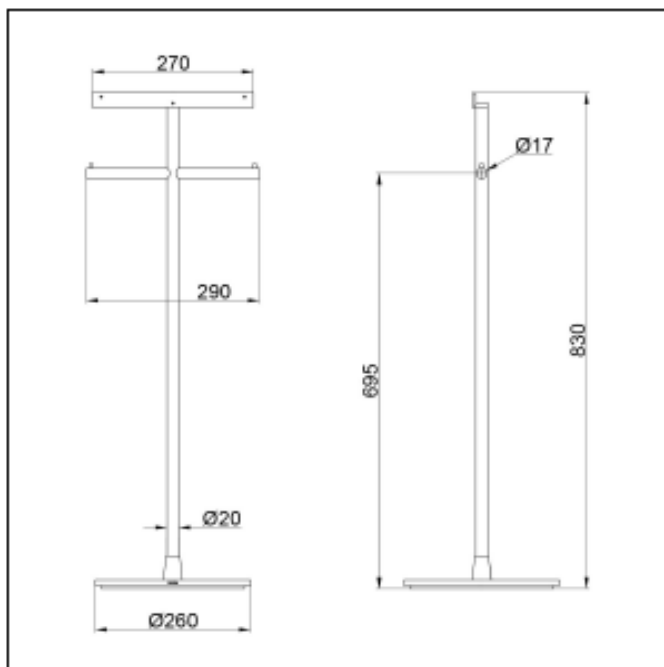
- Beautiful and Generous design

Specifications

Dimension: 290W x 260D x 830H mm

Parts description

- Paper Holder (Stand Type)



ACS

1300 898 889

www.acsbathrooms.com.au

As part of ACS commitment to quality products, information provided in this data sheet is representative of the actual product available at the time of printing. Due to our commitment to continuous product design and development, the designs and specifications depicted are subject to change without notice. Please confirm all particulars with your ACS sales consultant prior to purchase. Each product is covered by a limited warranty. Please see our website for full terms and conditions. This drawing remains the property of ACS and should not be copied or distributed without ACS consent. © 2010 All Dimensions are approximate in mm and are not to scale.