

moda

Code: ZOOM25b

Material: Isostone - 70% Limestone Composite

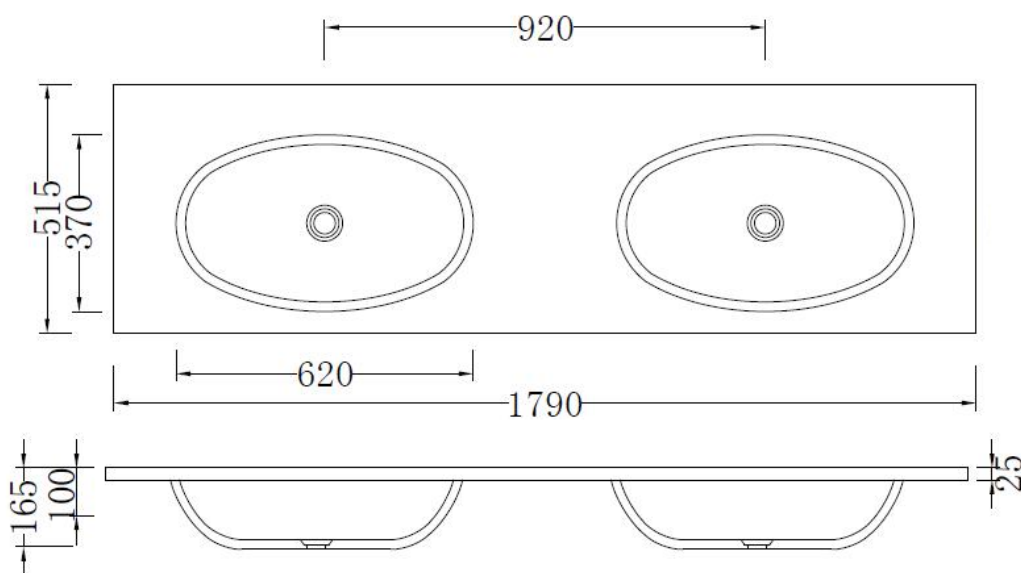
Size: W 1790 x D 515 x H 165 mm

Warranty: 10 Years

Features:

- Wall Mount Basin
- Smooth matt white finish (gloss by custom order)
- Italian Design & Engineering
- Solid Material
- Suits 32mm waste (not included)
- Scratch and Stain resistance
- Repairable Material
- Australian Standard (SAI)
AS/NZS 3718:2003

ANGELICA



Specifications:

- Crate size:
W 1850 x D 575 x H 225 mm
- Gross Weight: 51Kg



WaterMark
LIC. WMKA00381
SAI GLOBAL



ACS

DESIGNER BATHROOMS

1300 898 889

www.acsbathrooms.com.au