

moda

Code: ZOOM30b

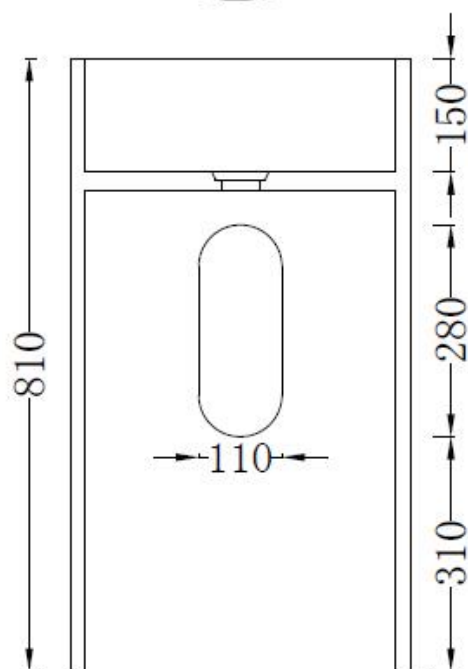
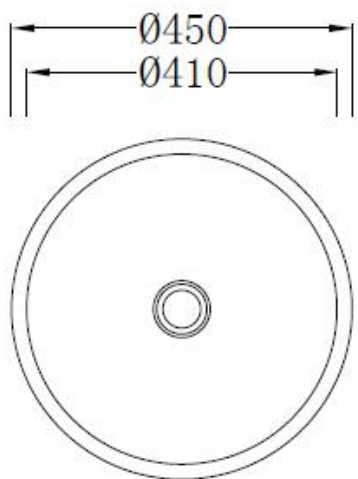
Material: Isostone - 70% Limestone Composite

Size: W 450 x D 450 x H 810 mm

Warranty: 10 Years

Features:

- Freestanding Basin
- Smooth matt white finish (gloss by custom order)
- Italian Design & Engineering
- Solid Material
- Suits 32mm waste (not included)
- Scratch and Stain resistance
- Repairable Material
- Australian Standard (SAI)
AS/NZS 3718:2003



MARGHERITA



Specifications:

- Crate size:
W 510 x D 510 x H 870 mm
- Gross Weight: 59.5Kg



WaterMark
LIC. WMKA00381
SAI GLOBAL



ACS

DESIGNER BATHROOMS

1300 898 889

www.acsbathrooms.com.au