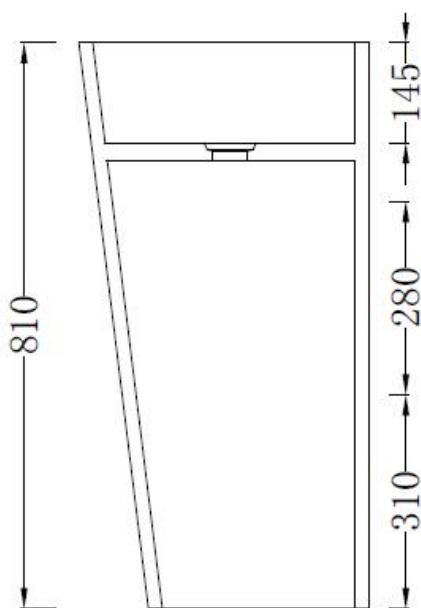
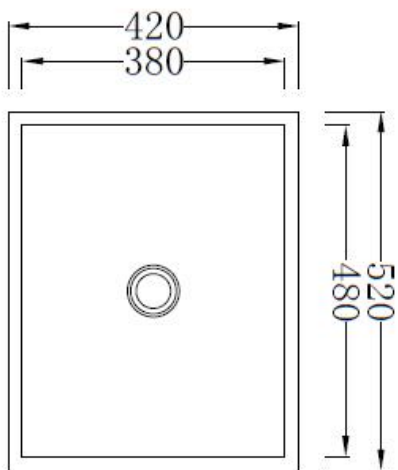


Features:

- Freestanding Basin
- Smooth matt white finish (gloss by custom order)
- Italian Design & Engineering
- Solid Material
- Suits 32mm waste (not included)
- Scratch and Stain resistance
- Repairable Material
- Australian Standard (SAI)
AS/NZS 3718:2003

YASMINE



Specifications:

- Crate size:
W 580 x D 480 x H 870 mm
- Gross Weight: 63.9Kg



WaterMark
LIC. WMKA00381
SAI GLOBAL



Australian
Standard